

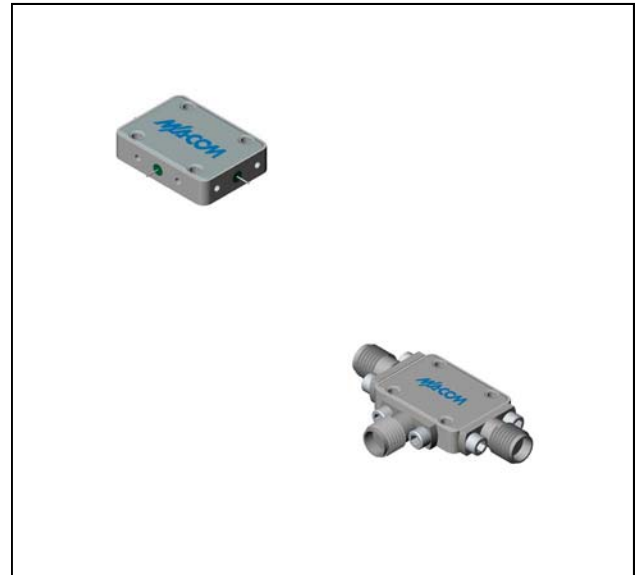
### Features

- LO 1.8 to 10 GHz
- RF 1.8 to 10 GHz
- IF DC to 1000 MHz
- LO Drive +9 dBm (nominal)
- Low Noise Figure

### Description

The MY84 is a double balanced mixer, designed for use in military, commercial and test equipment applications. The design utilizes Schottky ring quad diodes and broadband soft dielectric baluns to attain excellent performance. This mixer can also be used as a phase detector and/or bi-phase modulator since the IF port is DC coupled to the diodes. The use of high temperature solder and welded assembly processes used internally makes it ideal for use in manual, semi-automated assembly. Environmental screening available to MIL-STD-883, MIL-STD-202, or MIL-DTL-28837, consult factory.

### Product Image



### Ordering Information

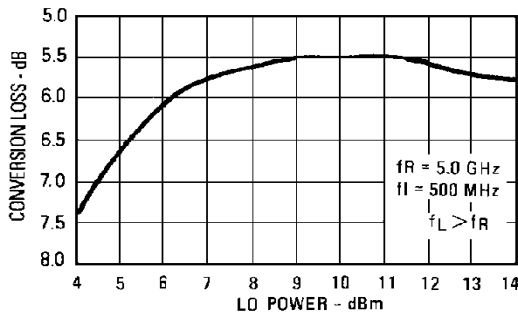
| Part Number | Package           |
|-------------|-------------------|
| MY84        | Versapac          |
| MY84C       | SMA Connectorized |

### Electrical Specifications: $Z_0 = 50\Omega$ $Lo = +9$ dBm (Downconverter application only)

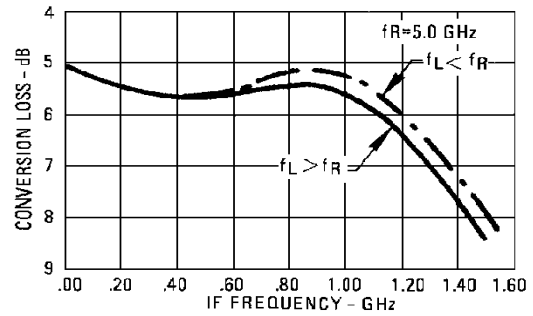
| Parameter                 | Test Conditions  | Units | Typical    | Guaranteed |               |
|---------------------------|--|-------|------------|------------|---------------|
|                           |  |       |            | +25°C      | -54° to +85°C |
| SSB Conversion Loss (max) | fR = 1.8 to 5.5 GHz, fL = 1.8 to 6 GHz, fl = 0.03 to 0.5 GHz<br>fR = 5.5 to 10 GHz, fL = 5 to 10 GHz, fl = 0.03 to 1 GHz | dB    | 6.0<br>6.5 | 7.5<br>8.5 | 8.0<br>9.0    |
| SSB Noise Figure (max)    | Within 1 dB of conversion loss   | dB    | —          | —          | —             |
| Isolation, L to R (min)   | fL = 1.8 to 6 GHz<br>fL = 6 to 10 GHz  | dB    | 45<br>32   | 30<br>20   | 28<br>18      |
| Isolation, L to I (min)   | fL = 1.8 to 10 GHz   | dB    | 30         | 18         | 16            |
| 1 dB Conversion Comp.     | fL = +9 dBm  | dBm   | +4         |            |               |
| Input IP3                 | fR1 = 5 GHz at -10 dBm, fR2 = 5.01 GHz at -10 dBm, fL = 5.5 GHz at +9 dBm  | dBm   | +11        |            |               |

### Typical Performance Curves

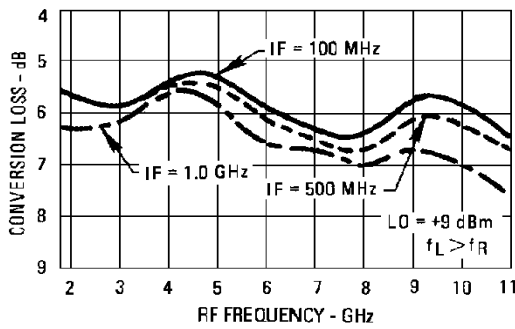
Conversion Loss vs. LO Drive Power



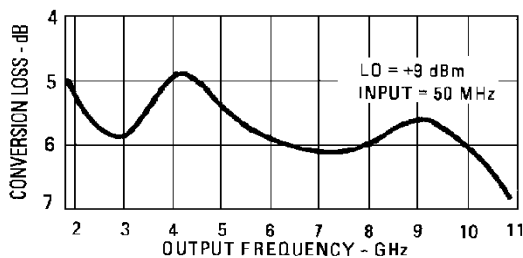
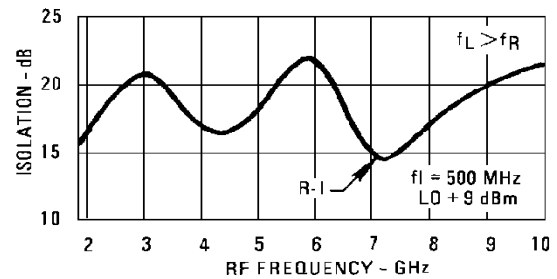
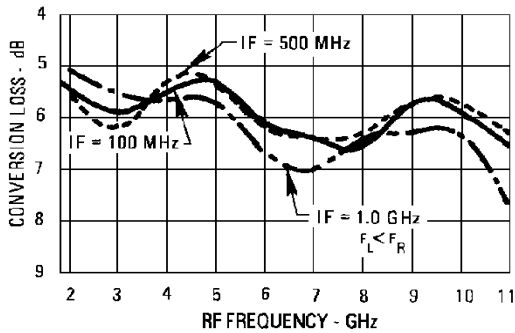
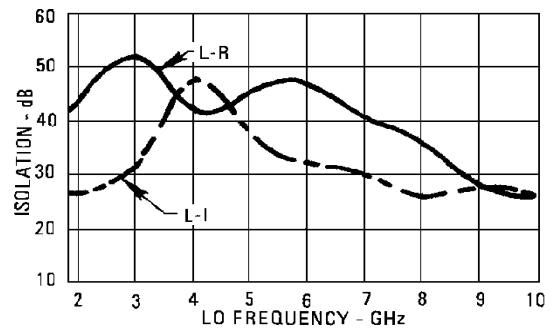
Conversion Loss



Conversion Loss



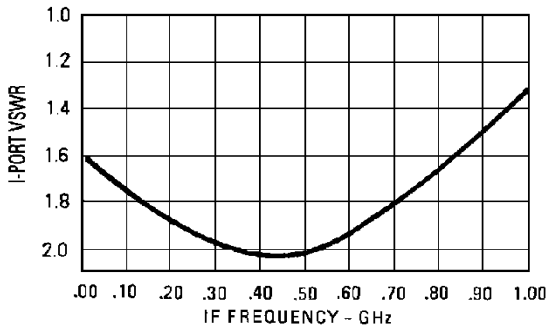
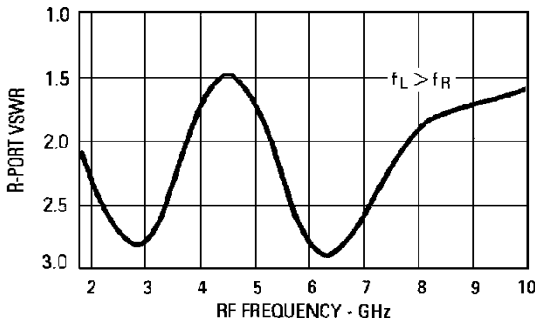
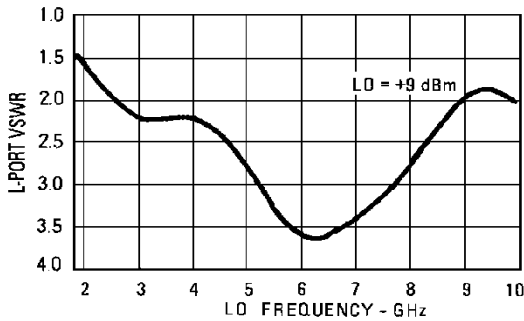
Isolation



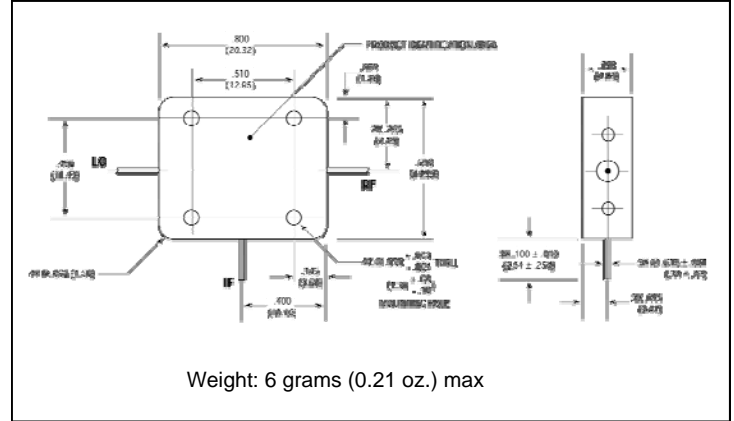
### Absolute Maximum Ratings

| Parameter             | Absolute Maximum                            |
|-----------------------|---|
| Operating Temperature | -54°C to +100°C                             |
| Storage Temperature   | -65°C to +100°C                             |
| Peak Input Power      | +23 dBm max @ +25°C<br>+20 dBm max @ +100°C |
| Peak Input Current    | 100 mA DC                                   |

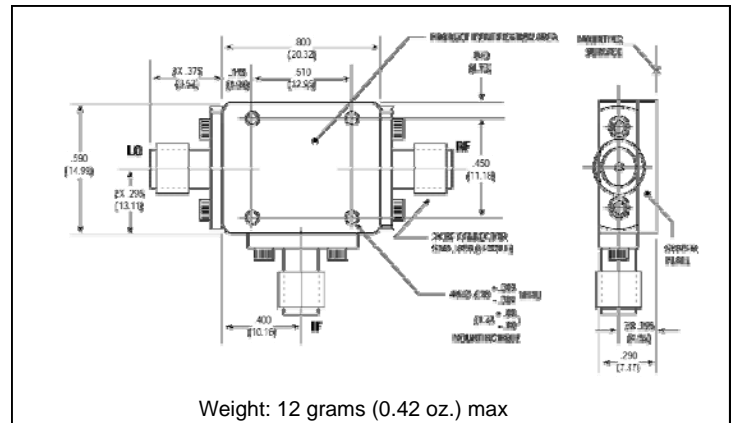
### VSWR



### Outline Drawing: Versapac \*



### Outline Drawing: SMA Connectorized \*



\* Dimensions are inches (millimeters) ±0.015 (0.38) unless otherwise specified.