

High Power GaAs DPDT Diversity Switch DC - 4.0 GHz

Rev. V1

Features

- Ideal for high power diversity switch applications including WiMax, WLAN MESH Networks, and Fixed Wireless Access
- Broadband Performance: DC - 4.0 GHz
- Low Insertion Loss: 0.8 dB @ 2.5 GHz and 1.2 dB @ 3.5 GHz
- High P1dB Compression: 39.5 dBm @ 5 V
- Lead-Free 3 mm 12-Lead PQFN Package
- 100% Matte Tin Plating over Copper
- Halogen-Free “Green” Mold Compound
- RoHS* Compliant and 260°C Reflow Compatible

Description

M/A-COM’s MASWSS0184 is a broadband GaAs PHEMT MMIC diversity switch available in a lead-free 3 mm 12-lead PQFN package. The MASWSS0184 is ideally suited for applications where very small size and high linear power are required.

Typical applications include 2.5 & 3.5 GHz WiMax, WLAN MESH networks, fixed wireless access, and other higher power systems. Designed for high power, this DPDT switch maintains high linearity up to 4.0 GHz.

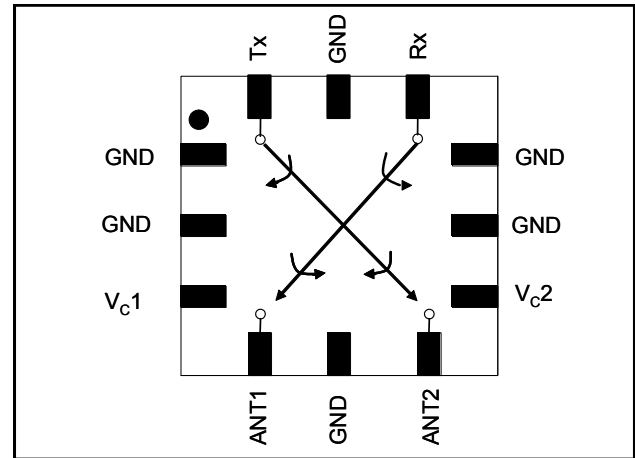
The MASWSS0184 is fabricated using a 0.5 micron gate length GaAs PHEMT process. The process features full passivation for performance and reliability.

Ordering Information ¹

Part Number	Package
MASWSS0184TR-3000	3000 piece reel
MASWSS0184SMB	Sample Test Board (Includes 5 Samples)

1. Reference Application Note M513 for reel size information.

Functional Schematic



Pin Configuration

Pin No.	Pin Name	Description
1	GND	Ground
2	GND	Ground
3	V _{c1}	Control 1
4	ANT1	Antenna Port 1
5	GND	Ground
6	ANT2	Antenna Port 2
7	V _{c2}	Control 2
8	GND	Ground
9	GND	Ground
10	Rx	Receive Port
11	GND	Ground
12	Tx	Transmit Port
13	Paddle ²	RF and DC Ground

2. The exposed pad centered on the package bottom must be connected to RF and DC ground.

* Restrictions on Hazardous Substances, European Union Directive 2002/95/EC.

High Power GaAs DPDT Diversity Switch DC - 4.0 GHz

Rev. V1

Electrical Specifications: $T_A = 25^\circ\text{C}$, $Z_0 = 50 \Omega$, $V_C = 0 \text{ V} / 3 \text{ V}$, 39 pF Capacitor³

Parameter	Test Conditions	Units	Min.	Typ.	Max.
Insertion Loss ⁴	0.5 - 1 GHz	dB	—	0.6	—
	1 - 2 GHz	dB	—	0.7	—
	2 - 3 GHz	dB	—	0.8	—
	2.45 GHz	dB	—	0.8	1.2
	3 - 4 GHz	dB	—	1.2	—
Isolation (on/off or off/on) Iso @ Tx when IL from Ant 2 to Rx Iso @ Rx when IL from Ant 1 to Tx	0.5 - 1 GHz	dB	—	41.5	—
	1 - 2 GHz	dB	—	35	—
	2 - 3 GHz	dB	—	30	—
	2.45 GHz	dB	24	30	—
	3 - 4 GHz	dB	—	27	—
Isolation (on/off or off/on) Iso @ Tx when IL from Ant 1 to Rx Iso @ Rx when IL from Ant 2 to Tx	0.5 - 1 GHz	dB	—	46.5	—
	1 - 2 GHz	dB	—	43	—
	2 - 3 GHz	dB	—	38	—
	2.45 GHz	dB	29	38	—
	3 - 4 GHz	dB	—	32	—
Return Loss	0.5 - 1 GHz	dB	—	14	—
	1 - 2 GHz	dB	—	15	—
	2 - 3 GHz	dB	—	19.5	—
	3 - 4 GHz	dB	—	14	—
IP3	Two Tone, +15 dBm/Tone, 5 MHz Spacing, 2.4 GHz $V_C = 3 \text{ V}$	dBm	—	57.5	—
	$V_C = 5 \text{ V}$	dBm	—	59	—
	$V_C = 8 \text{ V}$	dBm	—	60	—
Input P1dB	2.4 GHz, $V_C = 3 \text{ V}$	dBm	—	34	—
	2.4 GHz, $V_C = 5 \text{ V}$	dBm	—	39.5	—
	2.4 GHz, $V_C = 8 \text{ V}$	dBm	—	41	—
2 nd Harmonic	2.4 GHz, Pin = 15 dBm	dBc	—	-86	—
3 rd Harmonic	2.4 GHz, Pin = 15 dBm	dBc	—	-91	—
Trise, Tfall	10% to 90% RF	nS	—	64	—
	90% to 10% RF	nS	—	80	—
Ton, Toff	50% control to 90% RF and 50% control to 10% RF	nS	—	90	—
Transients	—	mV	—	5	—
Control Current	—	μA	—	5	10

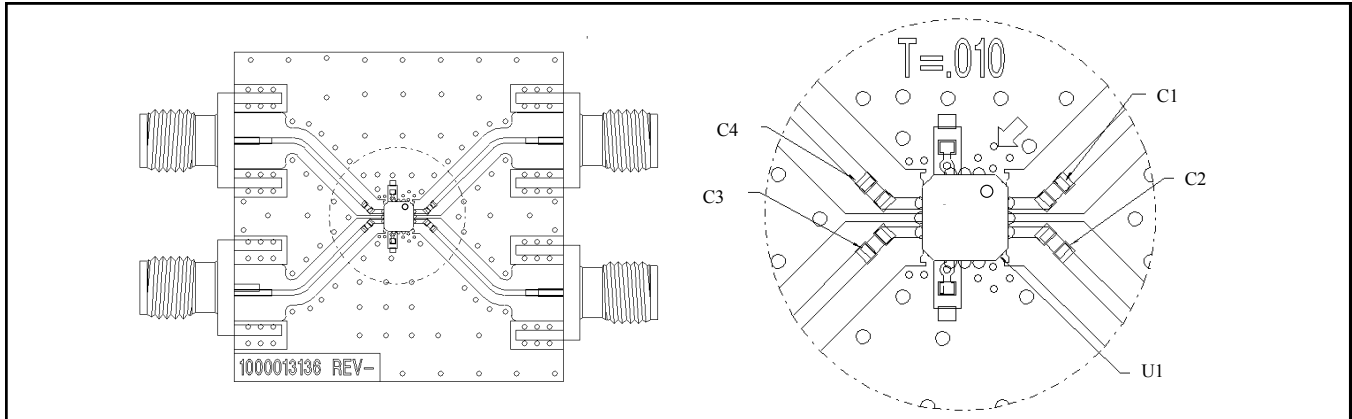
3. For positive voltage control, external DC blocking capacitors are required on all RF ports.

4. Insertion loss can be optimized by varying the DC blocking capacitor value. For use above 2.5 GHz, M/A-COM recommends using smaller capacitor values. For example, use 5 pF for 3.2 GHz.

High Power GaAs DPDT Diversity Switch DC - 4.0 GHz

Rev. V1

Evaluation Board for 3 mm 12-Lead PQFN

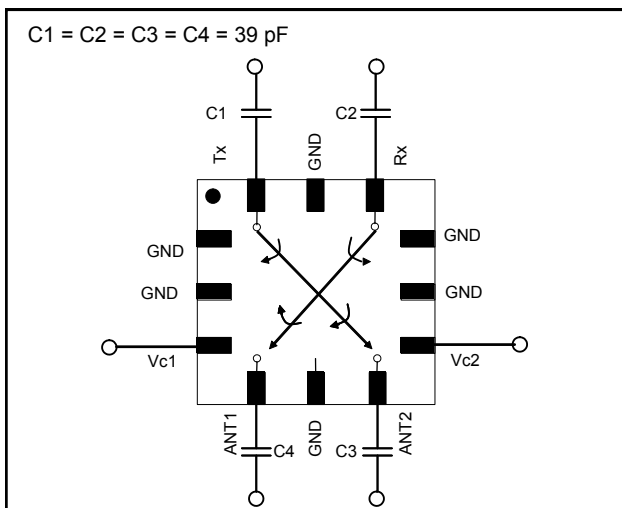


Absolute Maximum Ratings ^{5,6}

Parameter	Absolute Maximum
Input Power @ 3 V Control	+35 dBm CW
Input Power @ 5 V Control	+37 dBm CW
Voltage	≤ 8 volts
Operating Temperature	-40°C to +85°C
Storage Temperature	-65°C to +150°C

- Exceeding any one or combination of these limits may cause permanent damage to this device.
- M/A-COM does not recommend sustained operation near these survivability limits.

Application Schematic



Truth Table ^{7,8}

Control V _{c1}	Control V _{c2}	ANT 1 - Rx	ANT 1 - Tx	ANT 2 - Tx	ANT 2 - Rx
1	0	On	Off	On	Off
0	1	Off	On	Off	On

- Differential voltage, V (state 1) - V (state 0), must be +2.7 V minimum and must not exceed 8.0 V.
- 1 = +2.9 V to +8 V, 0 = 0 V ± 0.2 V.

Qualification

Qualified to M/A-COM specification REL-201, Process Flow -2.

Handling Procedures

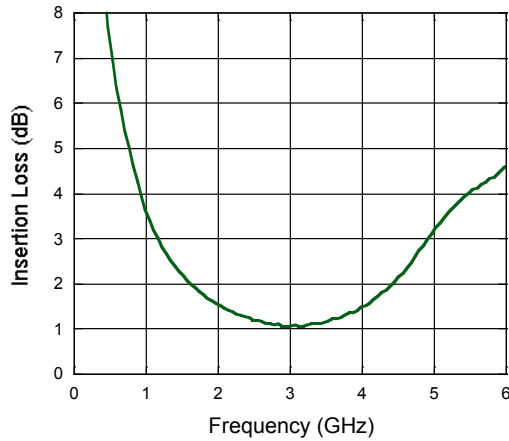
Please observe the following precautions to avoid damage:

Static Sensitivity

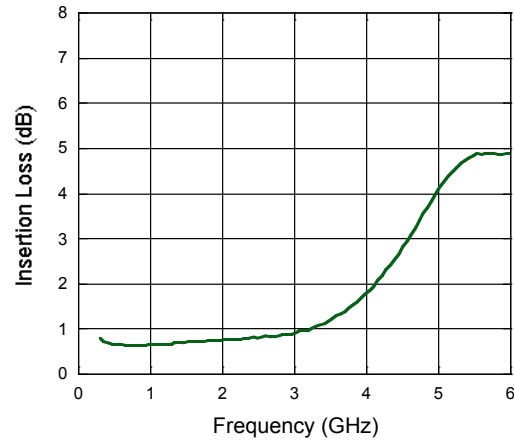
Gallium Arsenide Integrated Circuits are sensitive to electrostatic discharge (ESD) and can be damaged by static electricity. Proper ESD control techniques should be used when handling these devices.

Typical Performance Curves

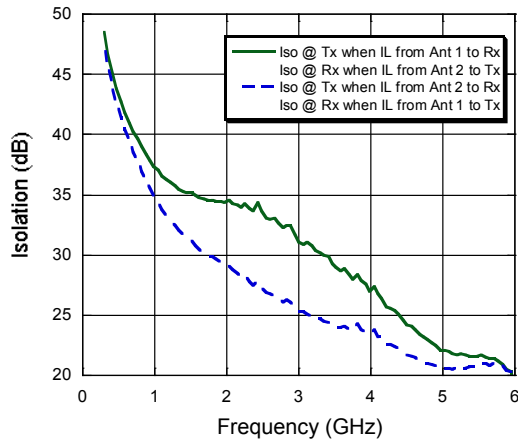
Insertion Loss, 4 pF Capacitors



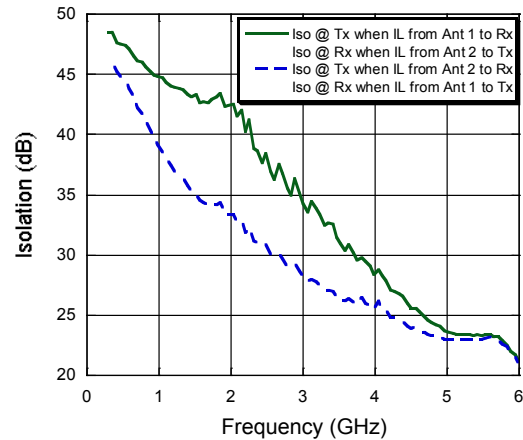
Insertion Loss, 39 pF Capacitors



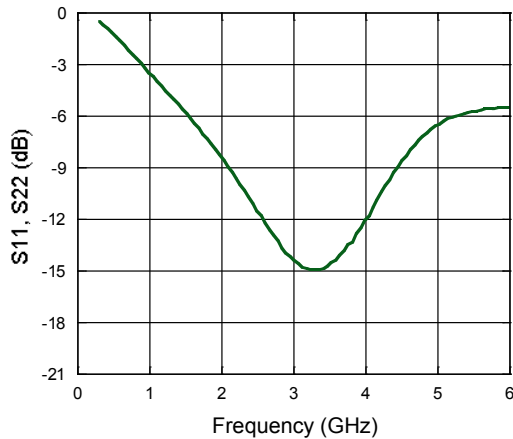
Isolation, 4 pF Capacitors



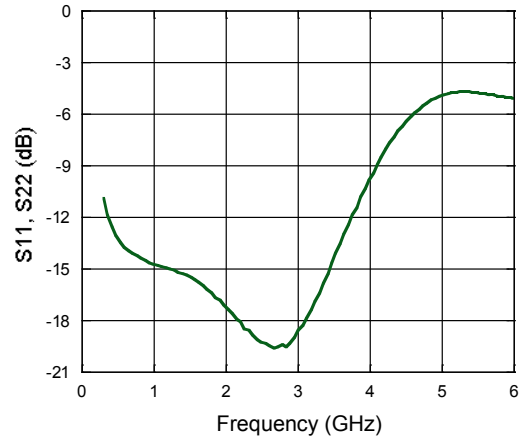
Isolation, 39 pF Capacitors



S11, S22 vs. Temperature, 4 pF Capacitors



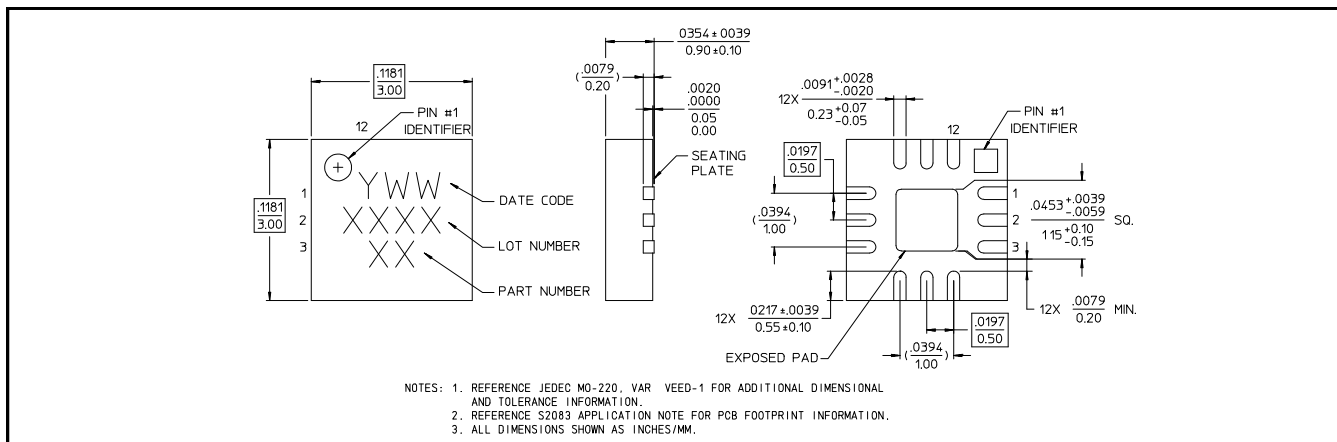
S11, S22 vs. Temperature, 39 pF Capacitors



High Power GaAs DPDT Diversity Switch DC - 4.0 GHz

Rev. V1

Lead-Free 3 mm 12-Lead PQFN†



† Reference Application Note M538 for lead-free solder reflow recommendations.

M/A-COM Technology Solutions Inc. All rights reserved.

Information in this document is provided in connection with M/A-COM Technology Solutions Inc ("MACOM") products. These materials are provided by MACOM as a service to its customers and may be used for informational purposes only. Except as provided in MACOM's Terms and Conditions of Sale for such products or in any separate agreement related to this document, MACOM assumes no liability whatsoever. MACOM assumes no responsibility for errors or omissions in these materials. MACOM may make changes to specifications and product descriptions at any time, without notice. MACOM makes no commitment to update the information and shall have no responsibility whatsoever for conflicts or incompatibilities arising from future changes to its specifications and product descriptions. No license, express or implied, by estoppel or otherwise, to any intellectual property rights is granted by this document.

THESE MATERIALS ARE PROVIDED "AS IS" WITHOUT WARRANTY OF ANY KIND, EITHER EXPRESS OR IMPLIED, RELATING TO SALE AND/OR USE OF MACOM PRODUCTS INCLUDING LIABILITY OR WARRANTIES RELATING TO FITNESS FOR A PARTICULAR PURPOSE, CONSEQUENTIAL OR INCIDENTAL DAMAGES, MERCHANTABILITY, OR INFRINGEMENT OF ANY PATENT, COPYRIGHT OR OTHER INTELLECTUAL PROPERTY RIGHT. MACOM FURTHER DOES NOT WARRANT THE ACCURACY OR COMPLETENESS OF THE INFORMATION, TEXT, GRAPHICS OR OTHER ITEMS CONTAINED WITHIN THESE MATERIALS. MACOM SHALL NOT BE LIABLE FOR ANY SPECIAL, INDIRECT, INCIDENTAL, OR CONSEQUENTIAL DAMAGES, INCLUDING WITHOUT LIMITATION, LOST REVENUES OR LOST PROFITS, WHICH MAY RESULT FROM THE USE OF THESE MATERIALS.

MACOM products are not intended for use in medical, lifesaving or life sustaining applications. MACOM customers using or selling MACOM products for use in such applications do so at their own risk and agree to fully indemnify MACOM for any damages resulting from such improper use or sale.

6

M/A-COM Technology Solutions Inc. (MACOM) and its affiliates reserve the right to make changes to the product(s) or information contained herein without notice.
Visit www.macom.com for additional data sheets and product information.