

## SPST High Isolation CATV Switch 5 - 1000 MHz

Rev. V1

### Features

- 75 Ohm Impedance
- Positive Voltage Control (0 / +5 V)
- Input Terminated (Off State)
- Low Insertion Loss: 0.62 dB at 870 MHz
- High Isolation: 54 dB at 870 MHz
- 0.5 micron GaAs PHEMT Process
- Lead-Free 3 mm 12-Lead PQFN Package
- 100% Matte Tin Plating over Copper
- Halogen-Free “Green” Mold Compound
- 260°C Reflow Compatible
- RoHS\* Compliant Version of MASWSS0067

### Description

M/A-COM's MASW-008177 is a GaAs PHEMT MMIC single pole single throw (SPST) switch in a low cost 3 mm 12-lead PQFN package. The MASW-008177 is ideally suited for applications where low control voltage, low insertion loss, high isolation, small size and low cost are required. Typical applications are to replace mechanical relays in CATV systems. This part can be used in all 75 ohm systems operating up to 1.0 GHz.

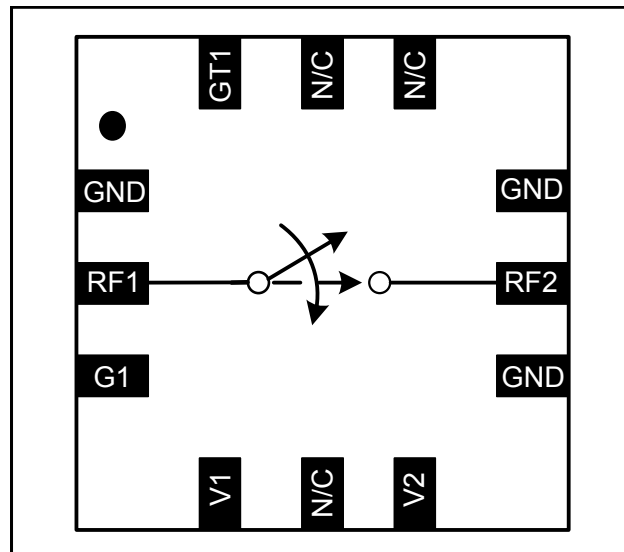
The MASW-008177 is fabricated using a 0.5 micron gate length GaAs PHEMT process. The process features full passivation for performance and reliability.

### Ordering Information <sup>1</sup>

Part Number	Package
MASW-008177-000000	Bulk Packaging
MASW-008177-TR1000	1000 piece reel
MASW-008177-TR3000	3000 piece reel
MASW-008177-001SMB	5-1000 MHz Configuration, Sample Board

1. Reference Application Note M513 for reel size information.

### Functional Schematic



### Pin Configuration <sup>2</sup>

Pin No.	Pin Name	Description
1	GND	Ground
2	RF1	RF In
3	G1	RF Ground
4	V1	Control 1
5	N/C	No Connection
6	V2	Control 2
7	GND	Ground
8	RF2	RF Out
9	GND	Ground
10	N/C	No Connection
11	N/C	No Connection
12	GT1	RF Ground

2. The exposed pad centered on the package bottom must be connected to both RF and DC ground.

\* Restrictions on Hazardous Substances, European Union Directive 2002/95/EC.

## SPST High Isolation CATV Switch 5 - 1000 MHz

Rev. V1

Electrical Specifications:  $T_A = 25^\circ\text{C}$ ,  $V_C = 0\text{V} / 5\text{V}$ ,  $Z_0 = 75 \Omega$ <sup>3</sup>

Parameter	Test Conditions	Units	Min.	Typ.	Max.
Insertion Loss	5 - 50 MHz	dB	—	0.45	—
	50 - 1000 MHz	dB	—	0.65	0.9
Isolation	5 - 50 MHz	dB	—	70	—
	50 - 1000 MHz	dB	50	53	—
Return Loss (On)	5 - 50 MHz	dB	—	30	—
	50 - 1000 MHz	dB	—	16	—
Return Loss (Off) (RF1 only)	5 - 50 MHz	dB	—	30	—
	50 - 1000 MHz	dB	—	18	—
IP3	Two Tone, +10 dBm / tone, 6 MHz Spacing, > 50 MHz	dBm	—	52	—
Trise, Tfall	10% to 90% RF, 90% to 10% RF	nS	—	20	—
Ton, Toff	50% control to 90% RF, and 50% control to 10% RF	nS	—	40	—
Transients	In Band	mV	—	30	—
Control Current	Vc  = 5V	μA	—	10	25

3. External DC blocking capacitors are required on all RF ports.

### Absolute Maximum Ratings<sup>4,5</sup>

Parameter	Absolute Maximum
Input Power (5 - 1000 MHz, 2.5V Control)	+32 dBm
Operating Voltage	+8.5 volts
Operating Temperature	-40 °C to +85 °C
Storage Temperature	-65 °C to +150 °C

4. Exceeding any one or combination of these limits may cause permanent damage to this device.  
5. M/A-COM does not recommend sustained operation near these survivability limits.

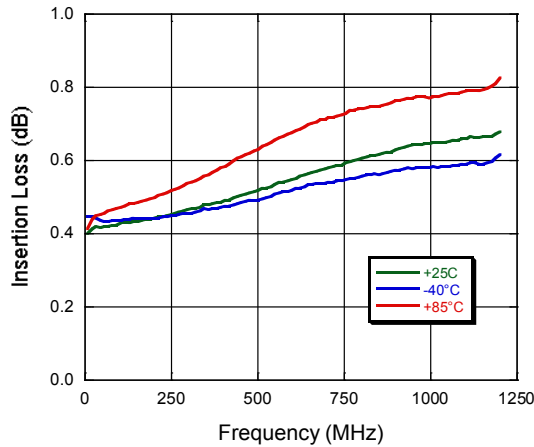
### Truth Table<sup>6</sup>

V1	V2	RF1—RF2
1	0	On
0	1	Off

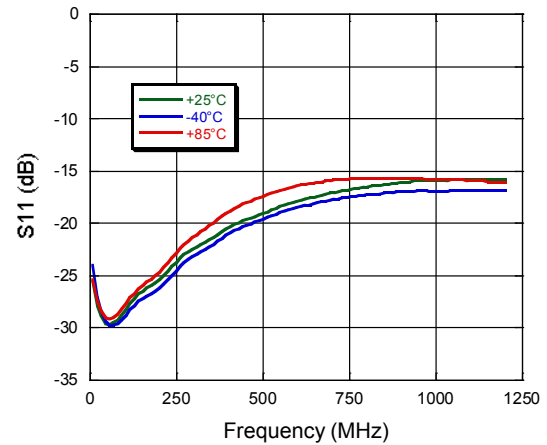
6. 0 = 0 V +/- 0.2 V; 1 = +2.5 V to +5.0 V.

## Typical Performance Curves

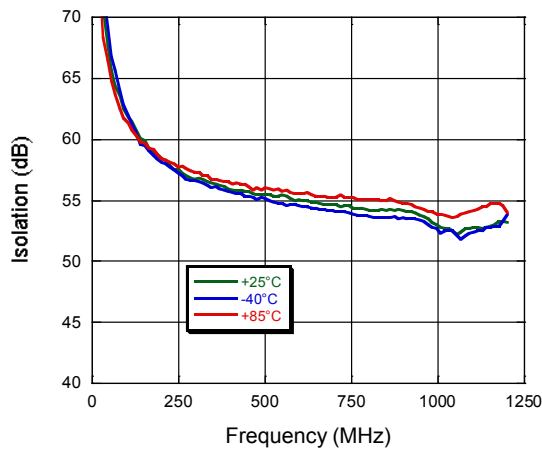
*Insertion Loss vs. Frequency over Temperature*



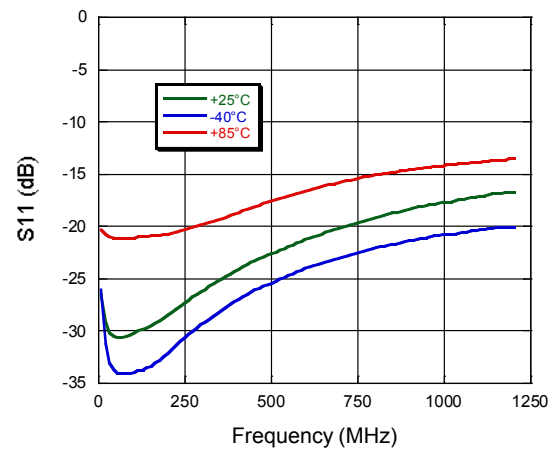
*S11 (Switch On) vs. Frequency over Temperature*



*Isolation vs. Frequency over Temperature*



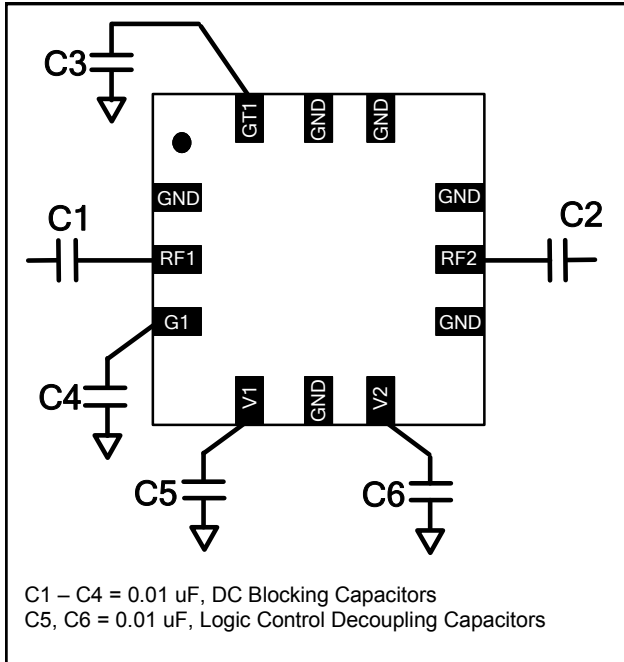
*S11 (Switch Off) vs. Frequency over Temperature*



## SPST High Isolation CATV Switch 5 - 1000 MHz

Rev. V1

### Application Schematic



### Qualification

Qualified to M/A-COM Specification Rel 201, Process Flow –2.

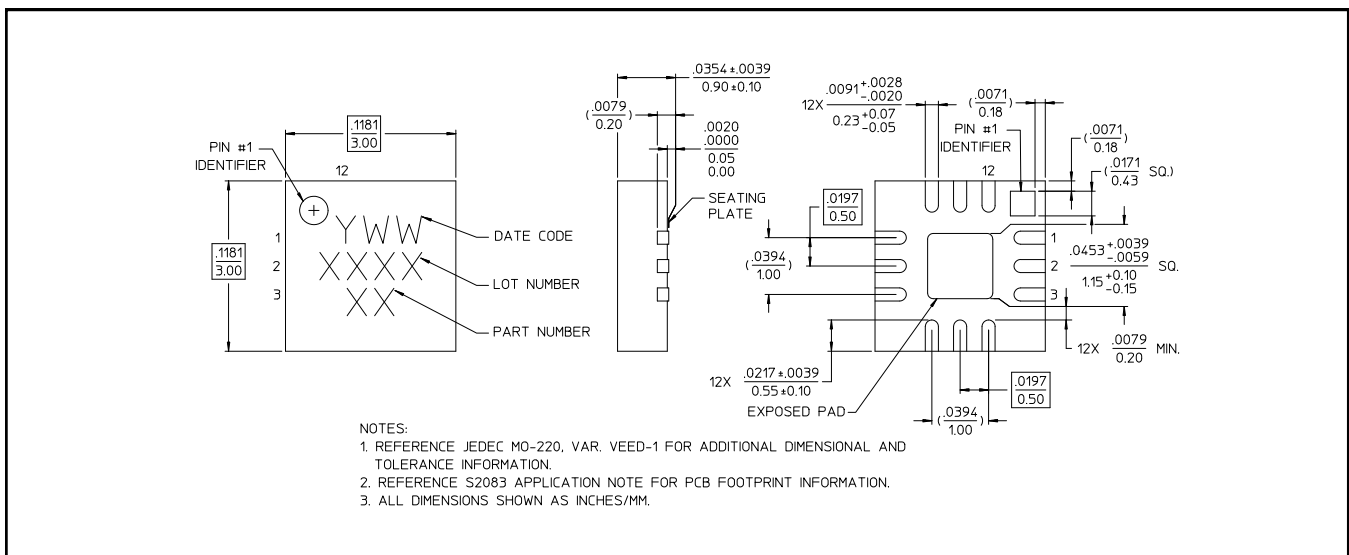
### Handling Procedures

Please observe the following precautions to avoid damage:

### Static Sensitivity

Gallium arsenide integrated circuits are sensitive to electrostatic discharge (ESD) and can be damaged by static electricity. Use proper ESD control precautions when handling these devices.

### Lead-Free 3 mm 12-Lead PQFN<sup>†</sup>



<sup>†</sup> Reference Application Note M538 for lead-free solder reflow recommendations.  
Meets JEDEC moisture sensitivity level 1 requirements.

M/A-COM Technology Solutions Inc. All rights reserved.

Information in this document is provided in connection with M/A-COM Technology Solutions Inc ("MACOM") products. These materials are provided by MACOM as a service to its customers and may be used for informational purposes only. Except as provided in MACOM's Terms and Conditions of Sale for such products or in any separate agreement related to this document, MACOM assumes no liability whatsoever. MACOM assumes no responsibility for errors or omissions in these materials. MACOM may make changes to specifications and product descriptions at any time, without notice. MACOM makes no commitment to update the information and shall have no responsibility whatsoever for conflicts or incompatibilities arising from future changes to its specifications and product descriptions. No license, express or implied, by estoppel or otherwise, to any intellectual property rights is granted by this document.

THESE MATERIALS ARE PROVIDED "AS IS" WITHOUT WARRANTY OF ANY KIND, EITHER EXPRESS OR IMPLIED, RELATING TO SALE AND/OR USE OF MACOM PRODUCTS INCLUDING LIABILITY OR WARRANTIES RELATING TO FITNESS FOR A PARTICULAR PURPOSE, CONSEQUENTIAL OR INCIDENTAL DAMAGES, MERCHANTABILITY, OR INFRINGEMENT OF ANY PATENT, COPYRIGHT OR OTHER INTELLECTUAL PROPERTY RIGHT. MACOM FURTHER DOES NOT WARRANT THE ACCURACY OR COMPLETENESS OF THE INFORMATION, TEXT, GRAPHICS OR OTHER ITEMS CONTAINED WITHIN THESE MATERIALS. MACOM SHALL NOT BE LIABLE FOR ANY SPECIAL, INDIRECT, INCIDENTAL, OR CONSEQUENTIAL DAMAGES, INCLUDING WITHOUT LIMITATION, LOST REVENUES OR LOST PROFITS, WHICH MAY RESULT FROM THE USE OF THESE MATERIALS.

MACOM products are not intended for use in medical, lifesaving or life sustaining applications. MACOM customers using or selling MACOM products for use in such applications do so at their own risk and agree to fully indemnify MACOM for any damages resulting from such improper use or sale.