

Ka-Band High Power Terminated SPDT PIN Switch with Integrated Driver, 20 - 44 GHz



MAMF-011183

Rev. V1

Features

- Broadband Performance, 20 to 44 GHz
- Low Loss <1.0 dB
- High Isolation >34 dB
- Up to 13 W CW Power, +85°C
- 23 dBm Power Handling in Terminated Port
- TTL Compatible Driver
- -10 V to -25 V Back Bias
- Quiescent Currents <1 mA
- Lead-Free 5 x 4 mm PQFN package
- RoHS* Compliant

Applications

- 5G
- Point-to-Point
- Radar
- Radiometers
- Test & Instrumentation
- High Frequency Applications

Description

The MAMF-011183 is a high power SPDT PIN diode switch with integrated driver in 5 x 4 mm PQFN package. This broadband, high linearity, SPDT switch with 50 Ω terminated RF ports was developed for Ka-Band applications that require up to 13 W CW power handling at an environmental temperature of +85°C while maintaining low insertion loss and high isolation.

The SPDT MMIC utilizes MACOM's proven AlGaAs PIN diode technology.

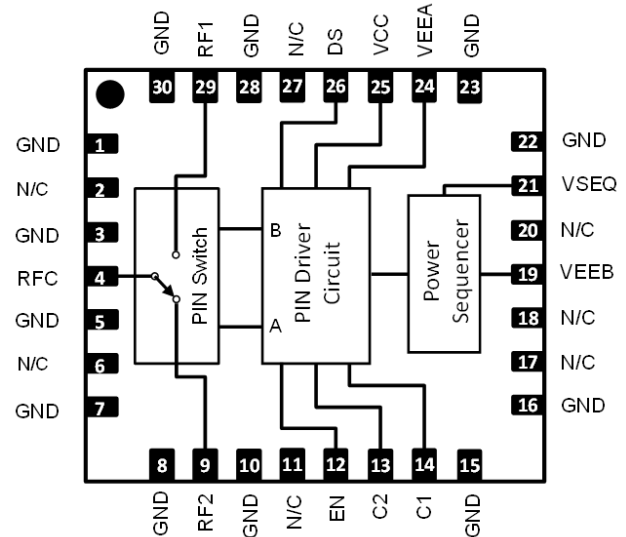
The included driver utilize MACOM developed PIN diode driver MADR-011022 and has all characteristic of this driver.

Ordering Information¹

Part Number	Package
MAMF-011183-TR0500	500 piece reel
MAMF-011183-SMB	Sample Board

1. All sample boards include 5 loose parts.

Functional Schematic



Pin Configuration²

Pin #	Function	Description
1, 3, 5, 7, 8, 10, 15, 16, 22, 23, 28, 30	GND	Ground
2, 6, 11, 17, 18, 20, 27	N/C	No Connection
4	RFC	RF Common Port
9	RF2	Terminated RF Port 2
12	EN	Enable
13	C2	Logic Control Input
14	C1	Logic Control Input
19	VEEB	Negative Sequencer Bias
21	VSEQ	Power Sequencer Output
24	VEEA	Negative Driver Bias
25	VCC	Positive Bias
26	DS	Driver Select
29	RF1	Terminated RF Port 1
31	Paddle ³	RF, DC & Thermal Ground

2. MACOM recommends connecting unused package pins to ground.
3. The exposed pad centered on the package bottom must be

* Restrictions on Hazardous Substances, compliant to current RoHS EU directive.

Ka-Band High Power Terminated SPDT PIN Switch with Integrated Driver, 20 - 44 GHz



MAMF-011183

Rev. V1

Electrical Specifications:

Freq. = 20 - 44 GHz, $T_A = 25^\circ\text{C}$, $V_{CC} = +4.5\text{ V @ } 29\text{ mA} / -20\text{ V @ } 0\text{ mA}$, $Z_0 = 50\ \Omega$

Parameter	Test Conditions	Units	Min.	Typ.	Max.
Insertion Loss	21 GHz	dB	—	0.9	—
	28 GHz			0.9	1.7
	35 GHz			1.0	1.7
	41 GHz			1.4	—
Isolation ⁴	21 GHz	dB	—	39	—
	28 GHz		32	40	
	35 GHz		32	38	
	41 GHz		—	34	
Input / Output Return Loss On state	21 GHz	dB	—	27	—
	28 GHz			19	
	35 GHz			19	
	41 GHz			13	
RF1, 2 Return Loss, Off state	21 GHz	dB	—	4	—
	28 GHz			9	
	35 GHz			25	
	41 GHz			13	
Switching Speed-T _{ON}	50% DC to 90% RF	ns	—	36	—
Switching Speed-T _{OFF}	50% DC to 10% RF	ns	—	33	—
Rise Time -T _{RISE}	10% to 90% RF	ns	—	4	—
Fall Time - T _{FALL}	90% to 10% RF	ns	—	13	—
CW Input Power ⁵	-25 V @ +85°C	dBm	—	41.2	—
V _{CC} Quiescent Current (I _{CC})	C1 = 5 V, C2 = DS = EN = 0 V	mA	—	0.4	0.5
V _{E_{EB}} Quiescent Current (I _{E_{EB}})	C1 = 5 V, C2 = DS = EN = 0 V	mA	—	0.4	0.5
Control Input Leakage Current (I _{CTL}) ⁶	Control = 5 V	μA	—	20	25
R _{PULL-UP} , Output Pull-up On Resistance	43 mA Load	Ω	—	19	25
R _{PULL-DOWN} , Output Pull-down On Resistance	43 mA Load	Ω	—	19	25
Power Sequencer Threshold Voltage	Note 7	V	—	2.5	—
Power Sequencer Power On Time	Note 8	μs	—	25	—
Driver Die Power Up Time	Note 9	μs	—	1	—
Driver Die Power Down Time	Note 10	μs	—	1	—

4. Isolation defined with 1 port in low loss state.
5. Reverse bias voltage V_{E_{EB}} should be determined based on working conditions. For example, -25 V @ 41.2 dBm input power. For lower power applications, a less negative voltage can be used. R. Caverly and G. Hiller, "Establishing the Minimum Reverse Bias for a P-I-N Diode in a High Power Switch," IEEE Transactions on Microwave Theory and Techniques, Vol.38, No.12, December 1990. Refer to the power over reverse bias voltage chart on page 5.
6. This leakage current is due to an active pull-down NMOS FET at the control input.
7. When V_{CC} is below this threshold, the internal power sequencer will pull its output V_{SEQ} to ground.
8. This is the delay between the moment when V_{CC} is above the power sequencer threshold to V_{SEQ} reaches 90% of steady state value. This is measured with a 47 pF shunt capacitor off pin V_{E_{EA}}.
9. This is the time needed for the driver to function properly after V_{CC} and V_{E_{EA}} reach 90% of their stable value.
10. This is the time needed for the internal bias voltages to discharge to 10% of their steady state value after V_{CC} and V_{E_{EA}} are powered down.

2

MACOM Technology Solutions Inc. (MACOM) and its affiliates reserve the right to make changes to the product(s) or information contained herein without notice. Visit www.macom.com for additional data sheets and product information.

For further information and support please visit:
<https://www.macom.com/support>

DC-0029701

Recommended Operating Conditions¹¹

Parameter	Test Conditions	Units	Min.	Typ.	Max.
V_{CC}	—	V	4.5	5.0	5.5
I_{CC}	RF1=ON, RF2=OFF & RF1=OFF, RF2=ON	mA	29	35	53
I_{CC}	RF1=RF2=OFF	mA	59	70	105
V_{EEA} and V_{EEB}	—	V	-25	—	-10
C1, C2, EN, DS	Logic "0" Logic "1"	V	0.0 2.0	0.0 V_{CC}	0.8 V_{CC}
Rise / Fall Time of V_{CC} And V_{EEB}	—	μ s	50	—	—
Temperature	—	$^{\circ}$ C	-40	+25	+85

11. Negative bias should be applied to V_{EEB} (pin 6) (see note 5). The sequencer output V_{SEQ} should be connected to the driver negative bias V_{EEA} . A 47 pF shunt capacitor shall be placed close to pin 11 (V_{EEA}).

Absolute Maximum Ratings^{12,13}

Parameter	Absolute Maximum
V_{EEA}, V_{EEB}	$-30\text{ V} \leq V_{EEA}, V_{EEB} \leq +0.5\text{ V}$
V_{CC}	$-0.5\text{ V} \leq V_{CC} \leq +7\text{ V}$
C1, C2, EN, DS	$-0.5\text{ V} \leq V_{CC} \leq +7\text{ V}$
CW Incident Power (Low Loss Port)	41.2 dBm @ +85 $^{\circ}$ C 43.0 dBm @ +25 $^{\circ}$ C
CW Incident Power (Terminated Port)	23 dBm @ +85 $^{\circ}$ C 26 dBm @ +25 $^{\circ}$ C
Operating Temperature	-40 $^{\circ}$ C to +85 $^{\circ}$ C
Storage Temperature	-55 $^{\circ}$ C to +150 $^{\circ}$ C

12. Exceeding any one or combination of these limits may cause permanent damage to this device.

13. MACOM does not recommend sustained operation near these survivability limits.

Truth Table

Inputs				Outputs	
EN	DS	C2	C1	RF1	RF2
1	X	X	X	OFF	OFF
0	0	0	0	OFF	ON
0	0	0	1	ON	OFF
0	1	1	0	OFF	ON
0	1	1	1	ON	OFF

Handling Procedures

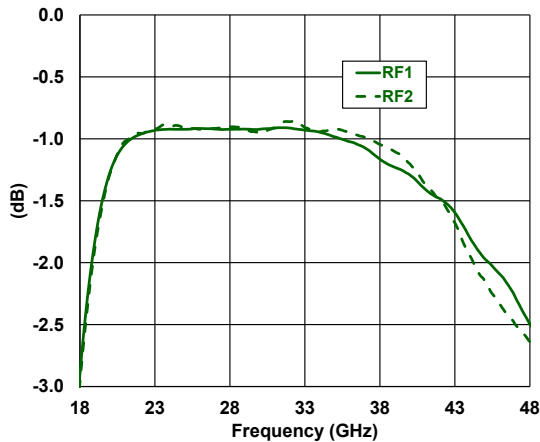
Please observe the following precautions to avoid damage:

Static Sensitivity

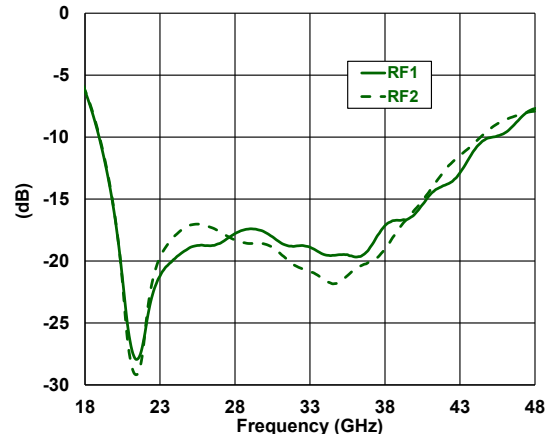
Gallium Arsenide Integrated Circuits are sensitive to electrostatic discharge (ESD) and can be damaged by static electricity. Proper ESD control techniques should be used when handling these HBM class 1A devices.

Typical Performance Curves @ +25°C

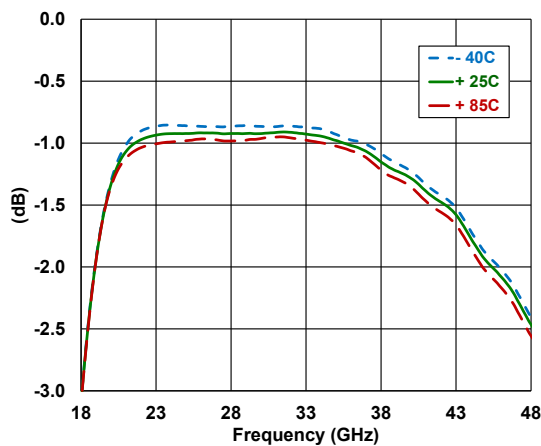
Insertion Loss (On State)



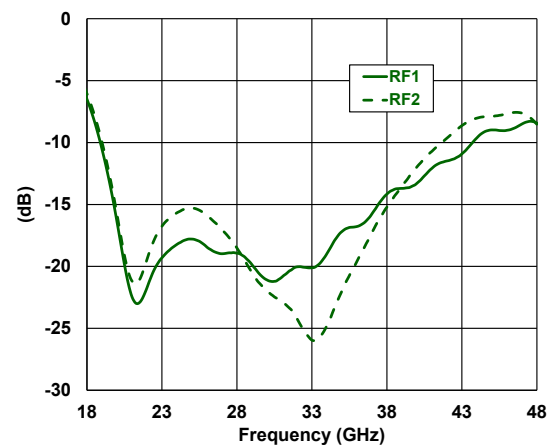
RF_{COMMON} Return Loss (On State)



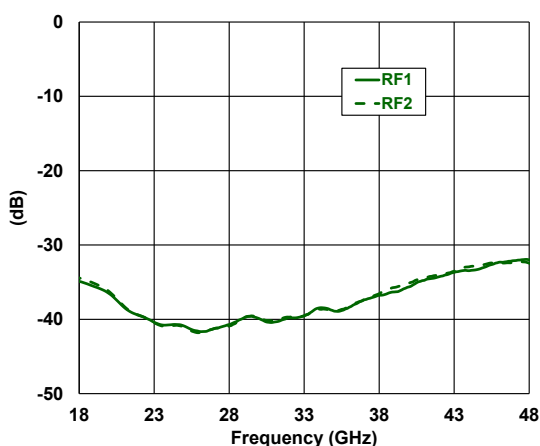
Insertion Loss (On State) over Temp



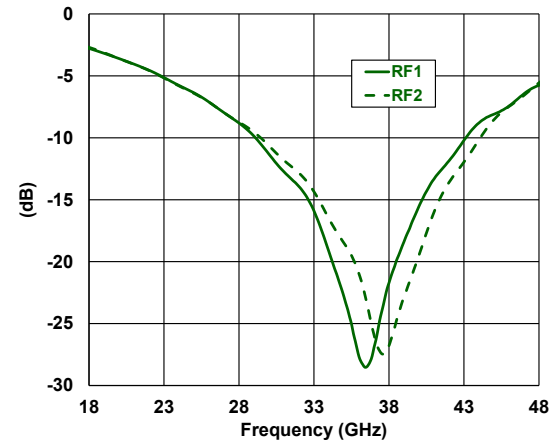
RF1 & RF2 Return Loss (On State)



Isolation (Off State)



RF1 & RF2 Return Loss (Off State) Terminated Port



Ka-Band High Power Terminated SPDT PIN Switch with Integrated Driver, 20 - 44 GHz

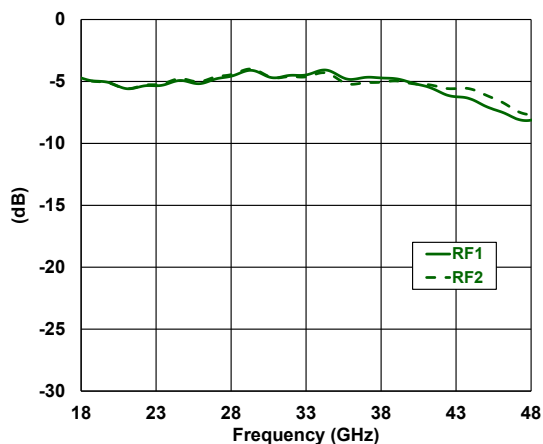


MAMF-011183

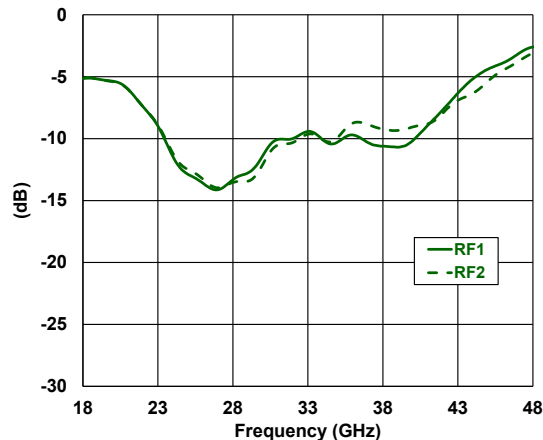
Rev. V1

Typical Performance Curves @ +25°C

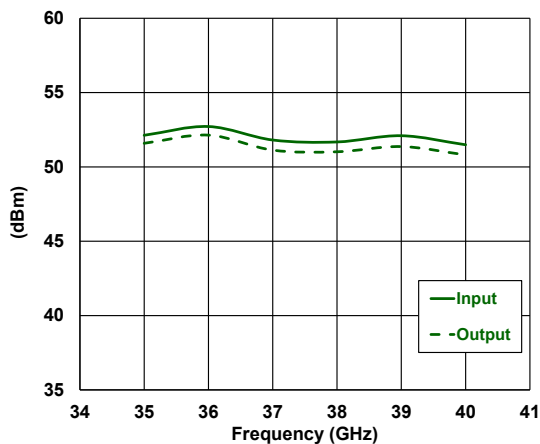
Insertion Loss (Unbiased)



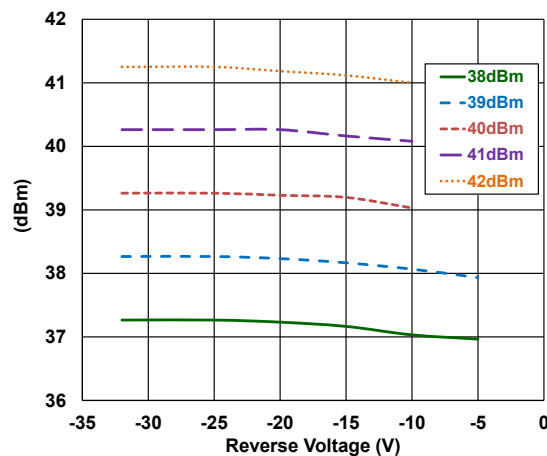
Return Loss (Unbiased)



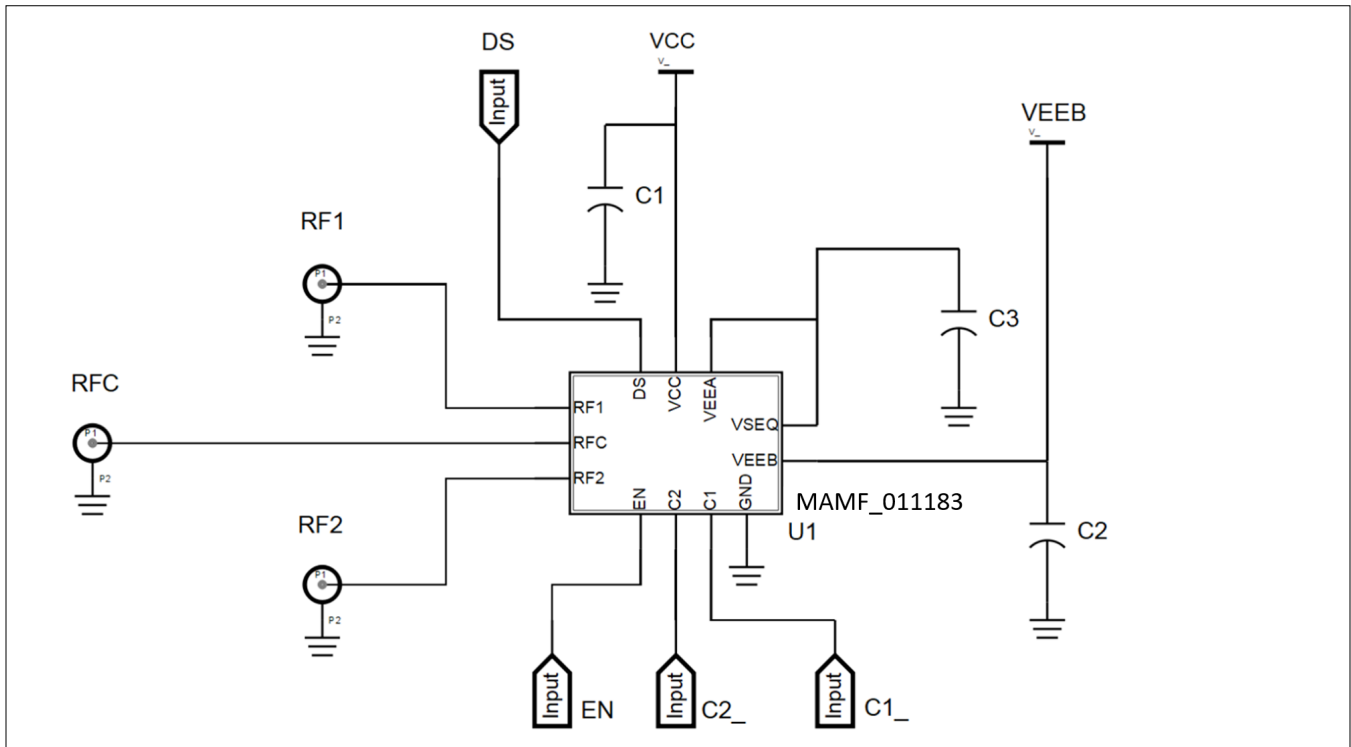
Input Output IP3



Output Power over Reverse Bias Voltage @ +85°C, 29 GHz



MAMF-011183 Application Schematic¹⁴



14. VEEB - recommended -20V, see note 5.

Parts List

Part	Value
C1, C2	0.1 μ F
C3	47 pF

MACOM Technology Solutions Inc. ("MACOM"). All rights reserved.

These materials are provided in connection with MACOM's products as a service to its customers and may be used for informational purposes only. Except as provided in its Terms and Conditions of Sale or any separate agreement, MACOM assumes no liability or responsibility whatsoever, including for (i) errors or omissions in these materials; (ii) failure to update these materials; or (iii) conflicts or incompatibilities arising from future changes to specifications and product descriptions, which MACOM may make at any time, without notice. These materials grant no license, express or implied, to any intellectual property rights.

THESE MATERIALS ARE PROVIDED "AS IS" WITH NO WARRANTY OR LIABILITY, EXPRESS OR IMPLIED, RELATING TO SALE AND/OR USE OF MACOM PRODUCTS INCLUDING FITNESS FOR A PARTICULAR PURPOSE, MERCHANTABILITY, INFRINGEMENT OF INTELLECTUAL PROPERTY RIGHT, ACCURACY OR COMPLETENESS, OR SPECIAL, INDIRECT, INCIDENTAL, OR CONSEQUENTIAL DAMAGES WHICH MAY RESULT FROM USE OF THESE MATERIALS.

MACOM products are not intended for use in medical, lifesaving or life sustaining applications. MACOM customers using or selling MACOM products for use in such applications do so at their own risk and agree to fully indemnify MACOM for any damages resulting from such improper use or sale.