

Features

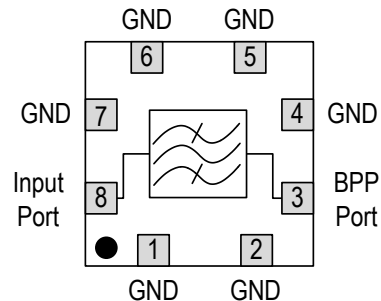
- 75 Ω
- Surface Mount Technology
- RoHS* Compliant

Description

The MAFL-010101-CB0AD0 is a surface mount band-pass filter unit designed for MoCA applications.



Functional Schematic



Pin Configuration

Pin #	Function	Pin #	Function
1, 2, 4 - 7	Ground	8	Input Port
3	Band-Pass Port		

Electrical Specifications: $T_A = 25^\circ\text{C}$, $P_{IN} = 0 \text{ dBm}$, $Z_0 = 75 \Omega$

Parameter	Test Conditions Frequency (MHz)	Units	Min	Typ	Max
Insertion Loss	1125 - 1550	dB	1.7	—	2.0
Stop band Rejection	5 - 800	dB	43	40	—
	800 - 1002		40	37	
	2250 - 2400		33	30	
	2400 - 2600		36	18	
	2600 - 3000		36	10	
Input Port Return Loss	1125 - 1200	dB	14	12	—
	1200 - 1550		13	11	

Ordering Information

Part Number	Package
MAFL-010101-CB0AD0	500 piece reel
MAFL-010101-CB0ATB	customer evaluation board

Absolute Maximum Ratings^{1,2}

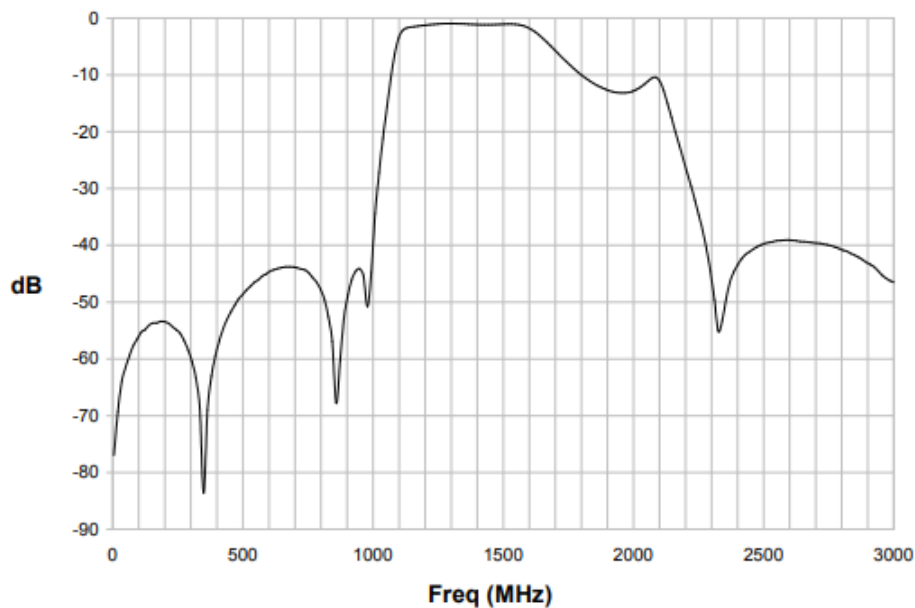
Parameter	Absolute Maximum
RF Power	250 mW
DC Current	30 mA
Operating & Storage Temperature	-40°C to +85°C

1. Exceeding any one or combination of these limits may cause permanent damage to this device.
2. MACOM does not recommend sustained operation near these survivability limits.

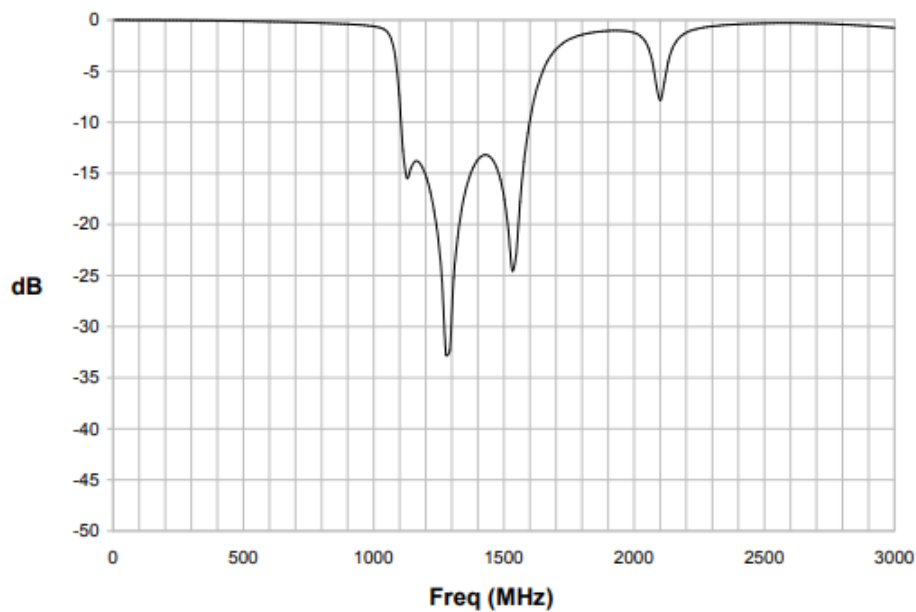
¹ * Restrictions on Hazardous Substances, compliant to current RoHS EU directive.

Typical Performance Curves

Insertion Loss

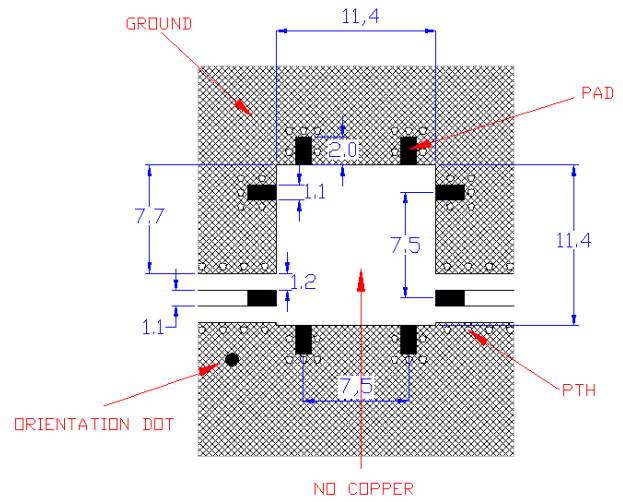
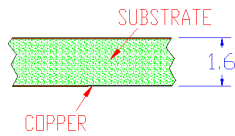


Return Loss



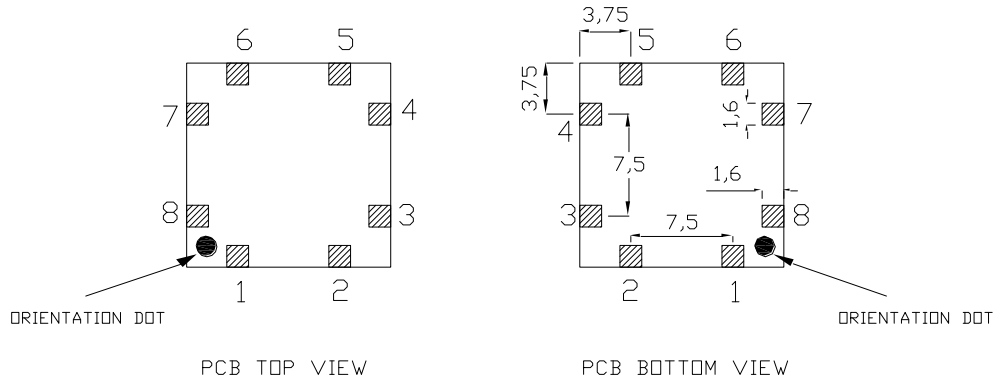
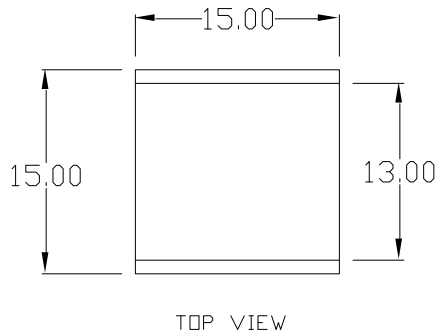
Recommended PCB Configuration

- Track dimension = 1.1 mm
- Gap dimension = 1.2 mm
- It is not recommended to run tracks under the filter unless they are greater than 1.6 mm below the base.
- Ground should be 1.6 mm below the base of the filter
- Area directly under the filter should be free from copper
- RF shield should be kept a minimum of 6 mm above the filter

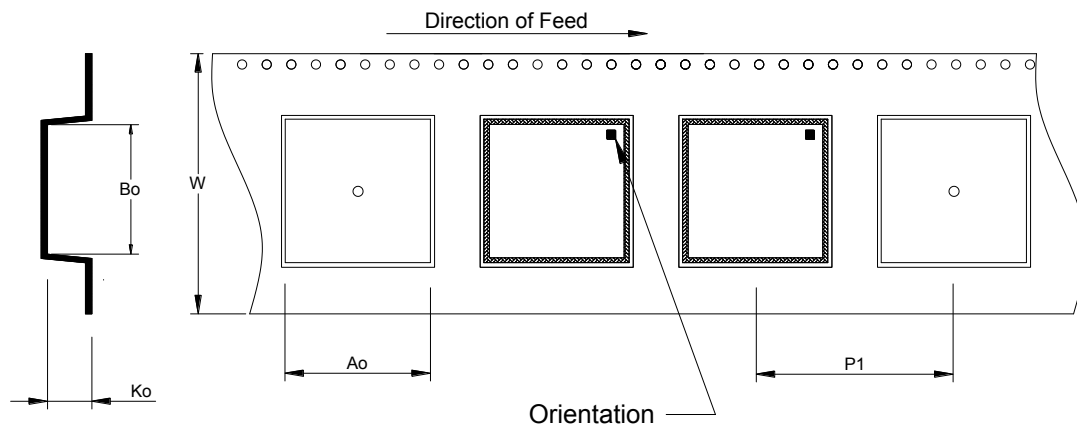


Dimensions in mm. Tolerance: .x ± 0.1, unless otherwise specified

Component Dimensions (SM-173)



Tape & Reel Information



Item	Dimension (mm)
Ao	15.40 +/- 0.1
Bo	15.40 +/- 0.1
Ko	5.40 +/- 0.1
W	32.00 +/- 0.3
P1	20.00 +/- 0.1

MACOM Technology Solutions Inc. All rights reserved.

Information in this document is provided in connection with MACOM Technology Solutions Inc ("MACOM") products. These materials are provided by MACOM as a service to its customers and may be used for informational purposes only. Except as provided in MACOM's Terms and Conditions of Sale for such products or in any separate agreement related to this document, MACOM assumes no liability whatsoever. MACOM assumes no responsibility for errors or omissions in these materials. MACOM may make changes to specifications and product descriptions at any time, without notice. MACOM makes no commitment to update the information and shall have no responsibility whatsoever for conflicts or incompatibilities arising from future changes to its specifications and product descriptions. No license, express or implied, by estoppel or otherwise, to any intellectual property rights is granted by this document.

THESE MATERIALS ARE PROVIDED "AS IS" WITHOUT WARRANTY OF ANY KIND, EITHER EXPRESS OR IMPLIED, RELATING TO SALE AND/OR USE OF MACOM PRODUCTS INCLUDING LIABILITY OR WARRANTIES RELATING TO FITNESS FOR A PARTICULAR PURPOSE, CONSEQUENTIAL OR INCIDENTAL DAMAGES, MERCHANTABILITY, OR INFRINGEMENT OF ANY PATENT, COPYRIGHT OR OTHER INTELLECTUAL PROPERTY RIGHT. MACOM FURTHER DOES NOT WARRANT THE ACCURACY OR COMPLETENESS OF THE INFORMATION, TEXT, GRAPHICS OR OTHER ITEMS CONTAINED WITHIN THESE MATERIALS. MACOM SHALL NOT BE LIABLE FOR ANY SPECIAL, INDIRECT, INCIDENTAL, OR CONSEQUENTIAL DAMAGES, INCLUDING WITHOUT LIMITATION, LOST REVENUES OR LOST PROFITS, WHICH MAY RESULT FROM THE USE OF THESE MATERIALS.

MACOM products are not intended for use in medical, lifesaving or life sustaining applications. MACOM customers using or selling MACOM products for use in such applications do so at their own risk and agree to fully indemnify MACOM for any damages resulting from such improper use or sale.