

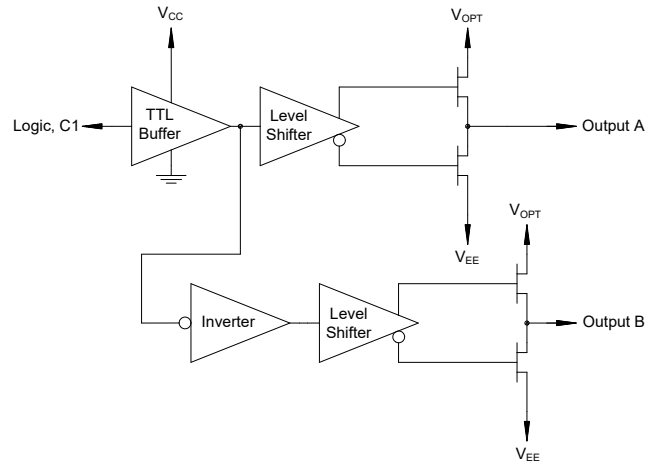
Features

- High Speed CMOS Technology
- Single Channel
- Positive Voltage Control
- Low Power Dissipation
- Low Cost Plastic SOIC-8 Package
- MADRCC0006 is RoHS* Compliant Version of SWD-109

Description

The MADRCC0006 is a single channel driver used to translate TTL control inputs into gate control voltages for GaAs FET microwave switches and attenuators. High speed analog CMOS technology is utilized to achieve low power dissipation at moderate to high speeds, encompassing most microwave switching applications. The output high level is optionally 0 to +2 V (relative to GND) to optimize the intermodulation products of the control devices at low frequencies.

Functional Schematic



Ordering Information¹

Part Number	Package
MADRCC0006	SOIC-8
MADRCC0006TR	1000 piece reel, SOIC-8
MADR-009151-000DIE	Die ²

1. Reference Application Note M513 for reel size information.
2. Die sales are available in waffle packs in increments of 100 pieces.

Pin Configuration³

Pin #	Function
1	Output A
2, 7	GND
3	V _{CC}
4	C1, Logic
5	V _{EE}
6	V _{OPT}
8	Output B

3. The bottom of the die should be isolated for part number MADR-009151-000DIE.

* Restrictions on Hazardous Substances, compliant to current RoHS EU directive.

Guaranteed Operating Ranges

Symbol	Parameter ⁴	Unit	Min.	Typ.	Max.
V_{CC}	Positive DC Supply Voltage	V	4.5	5.0	5.5
V_{EE}	Negative DC Supply Voltage	V	-8.5	-5.0	-4.5
V_{OPT} ⁵	Optional DC Output Supply Voltage	V	0	1.0	2.0
$V_{OPT}-V_{EE}$	Negative Supply Voltage Range	V	4.5	6.5	11.0
$V_{CC}-V_{EE}$	Positive to negative Supply Range	V	9.0	10.0	14.0
T_A	Operating Ambient temperature	°C	-55	+25	+85
I_{OH}	DC Output Current - High	mA	—	—	-1.0
I_{OL}	DC Output Current - Low	mA	—	—	1.0
T_{RISE}, T_{FALL}	Maximum Input Rise or Fall Time	ns	—	—	500

4. All voltages are relative to GND.

5. V_{OPT} is grounded for most applications. To improve the intermodulation performance and the 1 dB compression point of GaAs control devices at low frequencies, V_{OPT} can be increased to between 1 and 2 V. The nonlinear characteristics of the GaAs control devices will approximate performance at 500 MHz. It should be noted that the control current is on the GaAs MMICs will increase when positive controls are applied.

6. MACOM recommends that V_{CC} be powered on before V_{EE} and powered off after V_{EE} .

DC Characteristics over Guaranteed Operating Range

Symbol	Parameter	Test Conditions		Units	Min.	Typ.	Max.
V_{IH}	Input High Voltage	Guaranteed High Input Voltage		V	2.0	—	—
V_{IL}	Input Low Voltage	Guaranteed Low Input Voltage		V	—	—	0.8
V_{OH}	Output High Voltage	$I_{OH} = -1$ mA	$V_{EE} = \text{max.}$	V	$V_{OPT} - 0.1$	—	—
V_{OL}	Output Low Voltage	$I_{OL} = 1$ mA	$V_{EE} = \text{max.}$	V	—	—	$V_{EE} + 0.1$
I_{IN}	Input Leakage Current	$V_{IN} = V_{CC}$ or GND	$V_{EE} = \text{min.}$	μA	—	0.01	10
I_{CC}	Quiescent Supply Current	$V_{CC} = \text{max.}$ $V_{OPT} = \text{min. or max.}$	$V_{EE} = \text{min.}$ $V_{IN} = V_{CC}$ or GND	μA	—	—	100
$D I_{CC}$	Additional Supply Current, per TTL Input pin	$V_{CC} = \text{max.}$	$V_{IN} = V_{CC} - 2.1$ V	mA	—	—	1.0

AC Characteristics Over Guaranteed Operating Range⁷

Symbol	Parameter	Unit	-55 to +25°C	≤+85°C	≤+125°C
T _{PLH}	Propagation Delay	ns	22	25	30
T _{PHL}	Propagation Delay	ns	22	25	30
T _{TLH}	Output Rising Transition Time	ns	9.0	9.0	9.0
T _{THL}	Output Falling Transition Time	ns	8.0	8.0	8.0
T _{SKEW}	Delay Skew, Output A to Output B	ns	4.0	4.0	4.0
C _{IN}	Input Capacitance	pF	10	10	10
C _{PDC}	Power Dissipation Capacitance ⁸	pF	10	10	10
C _{PDE}	Power Dissipation Capacitance ⁸	pF	140	140	140

7. V_{CC} = 4.5 V, V_{OPT} - V_{EE} = min or max, V_{OPT} = 0 V, C_L = 25 pF, T_{RISE}, T_{FALL} = 6 ns. These conditions represent the worst case for slow delays.

8. Total Power Dissipation is calculated by the following formula: $PD = V_{CC}^2 f_{C_{PDC}} + (V_{OPT} - V_{EE})^2 f_{C_{PDE}}$.

Absolute Maximum Ratings^{9,10,11}

Symbol	Parameter	Unit	Min.	Max.
V _{CC}	Positive DC Supply Voltage	V	-0.5	7.0
V _{EE}	Negative DC Supply Voltage	V	-9.0	0.5
V _{OPT}	Optional DC Output Supply Voltage	V	-0.5	V _{CC} +0.5
V _{OPT} -V _{EE}	Output to Negative Supply Voltage Range	V	-0.5	11.0
V _{CC} -V _{EE}	Positive to Negative Supply Voltage Range	V	-0.5	14.0
V _I	DC Input Voltage	V	-0.5	V _{CC} +0.5
I _I	DC Input Current	mA	-25	25
V _O	DC Output Voltage	V	V _{EE} -0.5	V _{OPT} +0.5
P _D ¹²	Power Dissipation in Still Air	mW	—	500
V _O	DC Output Current	mA	-25	25
T _{STG}	Storage Temperature	°C	-65	150

9. All voltages are referenced to GND. All inputs and outputs incorporate latch-up protection structures.

10. Exceeding any one or combination of these limits may cause permanent damage to this device.

11. MACOM does not recommend sustained operation near these survivability limits.

12. Derate -7 mW/°C from 65°C to 85°C.

Truth Table

Input	Outputs	
	A	B
Logic "0"	V _{EE}	V _{OPT}
Logic "1"	V _{OPT}	V _{EE}

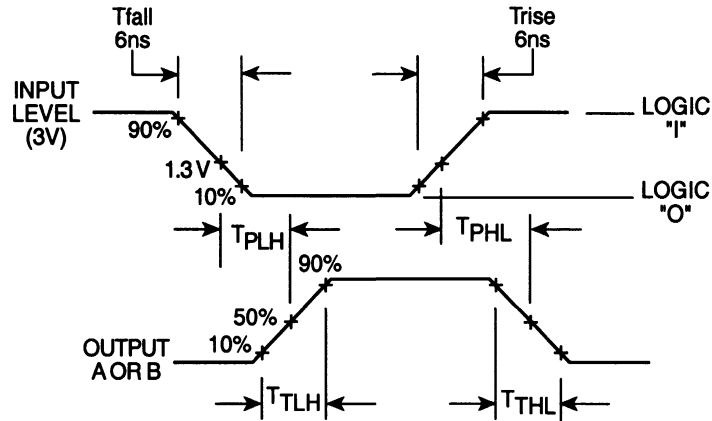
Handling Procedures

Please observe the following precautions to avoid damage:

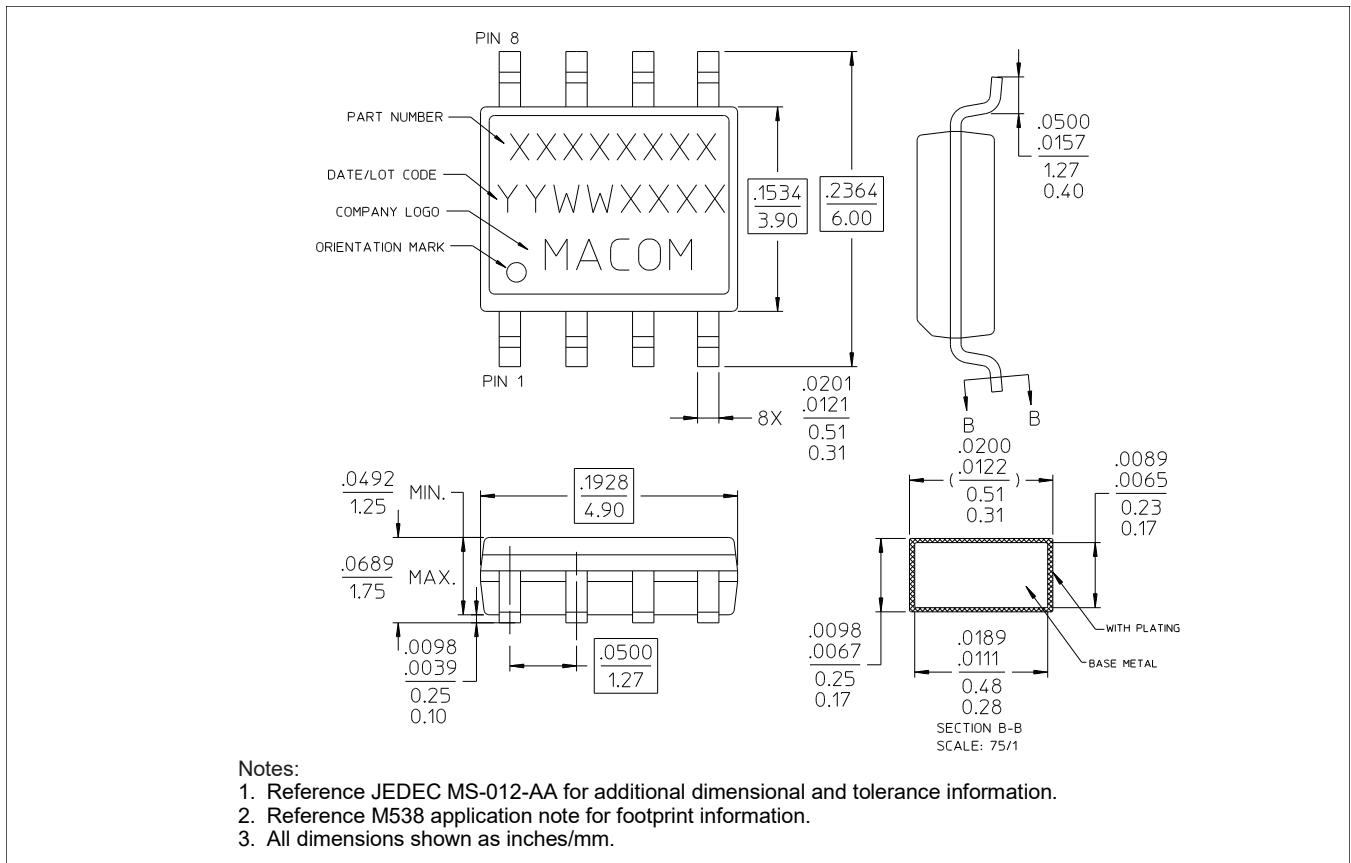
Static Sensitivity

These electronic devices are sensitive to electrostatic discharge (ESD) and can be damaged by static electricity. Proper ESD control techniques should be used when handling these devices.

Switching Waveforms

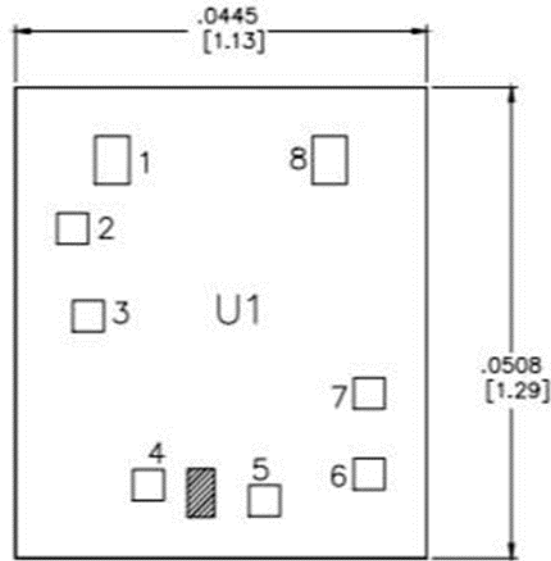


Lead-Free, SOIC-8[†]



[†] Reference Application Note M538 for lead-free solder reflow recommendations.

DIE Outline Drawing



Pad Configuration^{13,14}

Die Size: 1080 x 1240 μm (nominal)

Pad #	X (μm) nominal	Y (μm) nominal	Pad Size (μm)
0	0	0	Lower left edge of die
1	138	1042	92 x 92
2	138	835.5	92 x 92
3	138	636.75	92 x 92
4	313.75	198	92 x 92
5	838.5	198	92 x 92
6	942	378	92 x 92
7	942	558	92 x 92
8	942	1042	92 x 92
9	1080	1240	Upper right edge of die

13. All X,Y dimensions are at bond pad center.

14. Die thickness is 9.5 mils.

MACOM Technology Solutions Inc. ("MACOM"). All rights reserved.

These materials are provided in connection with MACOM's products as a service to its customers and may be used for informational purposes only. Except as provided in its Terms and Conditions of Sale or any separate agreement, MACOM assumes no liability or responsibility whatsoever, including for (i) errors or omissions in these materials; (ii) failure to update these materials; or (iii) conflicts or incompatibilities arising from future changes to specifications and product descriptions, which MACOM may make at any time, without notice. These materials grant no license, express or implied, to any intellectual property rights.

THESE MATERIALS ARE PROVIDED "AS IS" WITH NO WARRANTY OR LIABILITY, EXPRESS OR IMPLIED, RELATING TO SALE AND/OR USE OF MACOM PRODUCTS INCLUDING FITNESS FOR A PARTICULAR PURPOSE, MERCHANTABILITY, INFRINGEMENT OF INTELLECTUAL PROPERTY RIGHT, ACCURACY OR COMPLETENESS, OR SPECIAL, INDIRECT, INCIDENTAL, OR CONSEQUENTIAL DAMAGES WHICH MAY RESULT FROM USE OF THESE MATERIALS.

MACOM products are not intended for use in medical, lifesaving or life sustaining applications. MACOM customers using or selling MACOM products for use in such applications do so at their own risk and agree to fully indemnify MACOM for any damages resulting from such improper use or sale.