

Silicon Double Balanced HMIC Mixer 700 - 1200 MHz

Rev. V4

Features

- 7.0 dB Typical Conversion Loss
- +13 to +17 dBm LO Drive
- HMIC IC Process
- Silicon High Barrier Schottky Barrier Diodes
- DC - 400 MHz IF Bandwidth
- Low Cost Miniature Plastic Package
- RoHS* Compliant with 260°C Reflow Capability
- 100% Matte Tin Plating

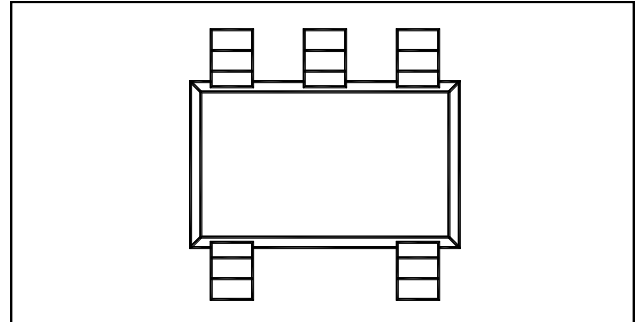
Description

M/A-COM's MA4EX950H1-1225T is a silicon monolithic 700 - 1200 MHz, high barrier, double balanced mixer in a low cost miniature surface mount SOT25 package. The die uses M/A-COM's unique HMIC silicon/glass process to realize low loss passive elements while retaining the advantages of high barrier silicon Schottky barrier diodes.

Applications

These mixers are well suited for high volume wireless and cellular applications where small size and repeatability are required. Typical Applications include frequency conversion, modulation, and demodulation in wireless receivers and transmitters.

Package Outline



PIN Configuration

PIN	Function	PIN	Function
1	RF	4	Gnd
2	Gnd	5	IF
3	LO		

Ordering Information

Model No.	Package
MA4EX950H1-1225T	Tape and Reel
MAMX-000950-000SMB	Sample Test Board

Electrical Specifications @ 25°C

Parameter	Frequency Range	Test Conditions	Units	Min.	Typ.	Max.
Conversion Loss	800 MHz 0.7 - 1.2 GHz	LO Drive = +15 dBm RF = -10 dBm, IF = 60 MHz	dB	—	6.6	7.5
			dB	—	8.1	10.5
L - R Isolation	800 MHz 0.7 - 1.2 GHz	LO Drive = +15 dBm RF Level = -10 dBm	dB	—	27.5	—
			dB	—	23.0	—
L - I Isolation	800 MHz 0.7 - 1.2 GHz	LO Drive = +15 dBm RF Level = -10 dBm	dB	—	28.5	—
			dB	—	28.5	—
R - I Isolation	800 MHz 0.7 - 1.2 GHz	LO Drive = +15 dBm RF Level = -10 dBm	dB	—	25.0	—
			dB	—	22.5	—
RF VSWR	800 MHz 0.7 - 1.2 GHz	LO Drive = +15 dBm RF Level = -10 dBm	Ratio	—	1.20:1	—
			Ratio	—	1.50:1	—
IF VSWR	DC - 400 MHz	LO Drive = +15 dBm RF Level = -10 dBm	Ratio	—	1.55:1	—
Input IP3	850 MHz 0.7 - 1.2 GHz	LO Drive = +15 dBm RF = -5 dBm, IF = 60 MHz	dBm	21.0	23.8	—
			dBm	20.0	25.0	—
Input 1 dB Compression	850 MHz 0.7 - 1.2 GHz	LO Drive = +15 dBm RF = -5 dBm, IF = 60 MHz	dBm	—	8.3	—
			dBm	—	9.1	—
IF 1 dB Bandwidth	DC - 400 MHz	LO = 850 MHz @ +15 dBm	MHz	0	—	400

Silicon Double Balanced HMIC Mixer 700 - 1200 MHz

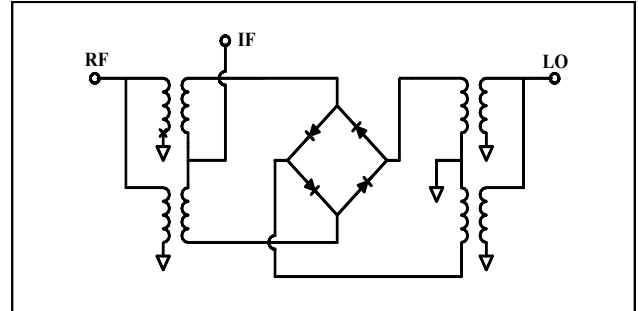
Rev. V4

Absolute Maximum Ratings

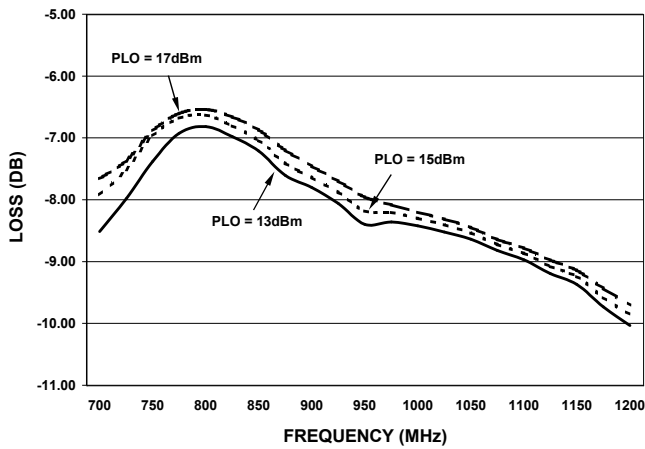
Parameter	Maximum Ratings
Operating Temperature	-40°C to +85°C
Storage Temperature	-65°C to +150°C
Incident LO Power	+20 dBm
Incident RF Power	+20 dBm

1. Exceeding these limits may cause permanent damage.

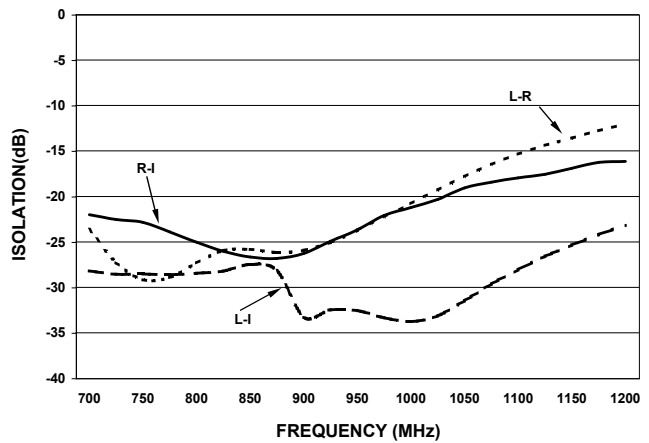
Schematic



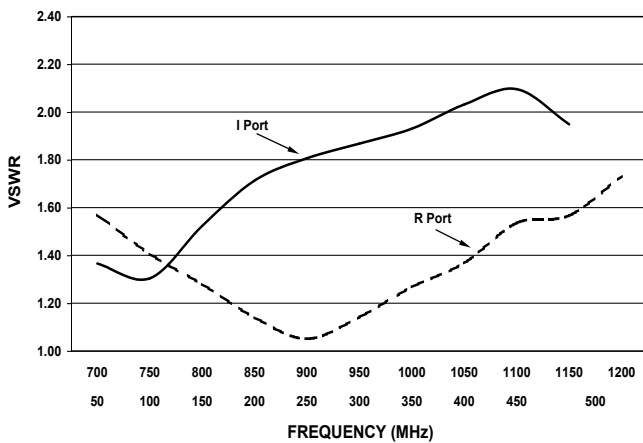
Conversion Loss



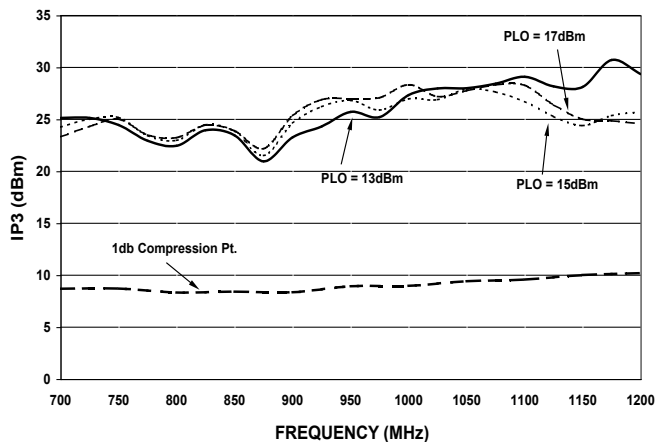
Isolation



VSWR



Input IP3 & 1 dB Compression



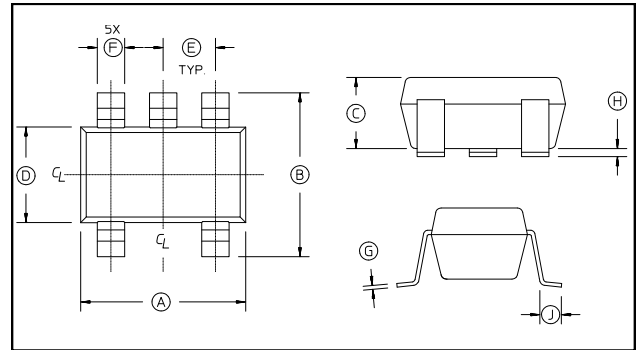
Silicon Double Balanced HMIC Mixer 700 - 1200 MHz

Rev. V4

Case Styles

SOT-25

DIM	INCHES		MILLIMETERS	
	MIN	MAX	MIN	MAX
A	0.106	0.122	2.70	3.10
B	0.100	0.118	2.54	3.00
C	-	0.051	-	1.30
D	.063 REF.		1.60 REF.	
E	0.032	0.043	0.80	1.10
F	0.014	0.020	0.35	0.50
G	0.003	-	0.08	-
H	0.000	0.006	0.00	0.15
J	0.018 REF.		0.45 REF.	



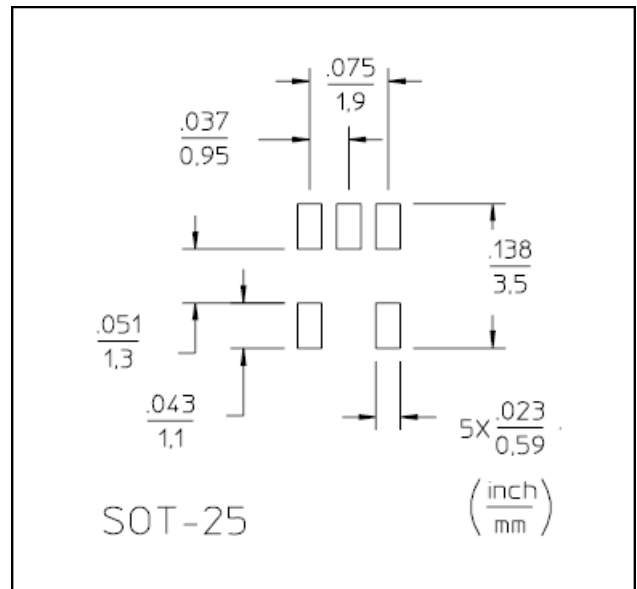
2. Leads Coplanarity should be 0.003 (0.08) max.

Mounting Information

The illustration indicates the recommended mounting pad configuration for the SOT-25 package. Solder paste containing flux should be screened onto the pads to a thickness of 0.005- 0.007 inches. The plastic package is placed in position, firmly adhering to the solder paste.

Permanent attachment is performed by a reflow soldering procedure during which the tab temperature does not exceed +275 °C and the body temperature does not exceed +260 °C for the RoHS compliant devices.

Please refer to Application Note M538 for surface mounting instructions.



M/A-COM Technology Solutions Inc. All rights reserved.

Information in this document is provided in connection with M/A-COM Technology Solutions Inc ("MACOM") products. These materials are provided by MACOM as a service to its customers and may be used for informational purposes only. Except as provided in MACOM's Terms and Conditions of Sale for such products or in any separate agreement related to this document, MACOM assumes no liability whatsoever. MACOM assumes no responsibility for errors or omissions in these materials. MACOM may make changes to specifications and product descriptions at any time, without notice. MACOM makes no commitment to update the information and shall have no responsibility whatsoever for conflicts or incompatibilities arising from future changes to its specifications and product descriptions. No license, express or implied, by estoppel or otherwise, to any intellectual property rights is granted by this document.

THESE MATERIALS ARE PROVIDED "AS IS" WITHOUT WARRANTY OF ANY KIND, EITHER EXPRESS OR IMPLIED, RELATING TO SALE AND/OR USE OF MACOM PRODUCTS INCLUDING LIABILITY OR WARRANTIES RELATING TO FITNESS FOR A PARTICULAR PURPOSE, CONSEQUENTIAL OR INCIDENTAL DAMAGES, MERCHANTABILITY, OR INFRINGEMENT OF ANY PATENT, COPYRIGHT OR OTHER INTELLECTUAL PROPERTY RIGHT. MACOM FURTHER DOES NOT WARRANT THE ACCURACY OR COMPLETENESS OF THE INFORMATION, TEXT, GRAPHICS OR OTHER ITEMS CONTAINED WITHIN THESE MATERIALS. MACOM SHALL NOT BE LIABLE FOR ANY SPECIAL, INDIRECT, INCIDENTAL, OR CONSEQUENTIAL DAMAGES, INCLUDING WITHOUT LIMITATION, LOST REVENUES OR LOST PROFITS, WHICH MAY RESULT FROM THE USE OF THESE MATERIALS.

MACOM products are not intended for use in medical, lifesaving or life sustaining applications. MACOM customers using or selling MACOM products for use in such applications do so at their own risk and agree to fully indemnify MACOM for any damages resulting from such improper use or sale.