

Features

- 7.6 dB Typical Conversion Loss
- +3 to +7 dBm LO Drive
- HMIC™ Patented Process
- Silicon Low Barrier Schottky Diodes
- DC - 1050 MHz IF Bandwidth
- Low Cost Miniature Plastic Package
- **Lead Free and RoHS Compliant**

Description and Applications

MA4EX580L1-1225T is a silicon monolithic 4.7 to 6.0 GHz double balanced mixer in a low cost miniature surface mount SOT-25 package. The die uses M/A-COM's unique HMIC™ silicon/glass process to achieve low loss passive elements while retaining the advantages of low barrier silicon Schottky diodes.

These mixers are well suited for high volume wireless and cellular applications where small size and repeatability are required. Typical applications include frequency conversion, modulation, and demodulation in wireless receivers and transmitters.

Ordering Information

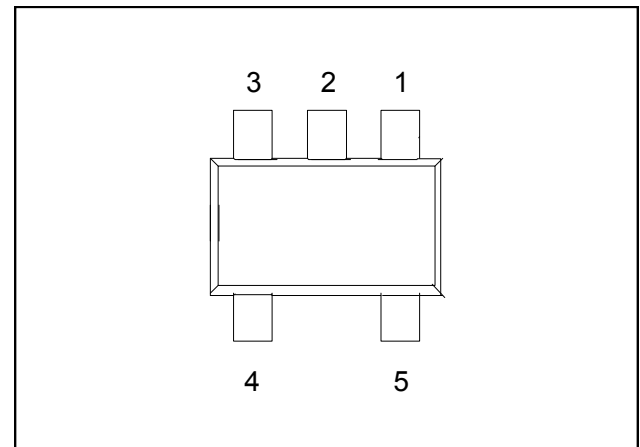
Standard Part Number	Package
MA4EX580L1-1225T	Tape and Reel

Absolute Maximum Ratings¹

Parameter	Maximum Ratings
Operating Temperature	-40 °C to +85 °C
Storage Temperature	-65 °C to +150 °C
Incident LO Power	+20 dBm
Incident RF Power	+20 dBm

1. Exceeding these limits may cause permanent damage.
2. Refer to application note M538 for surface mounting instructions.

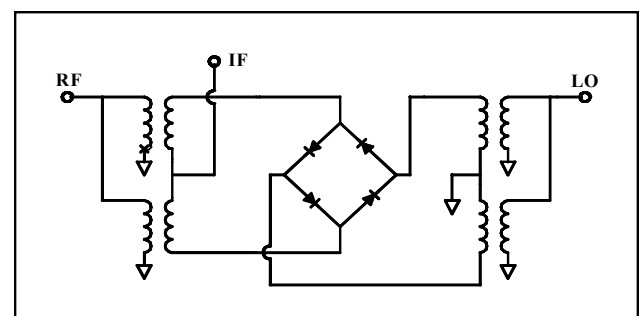
Package Outline (Topview)



PIN Configuration

PIN	Function	PIN	Function
1	RF	4	GND
2	GND	5	IF
3	LO		

Schematic



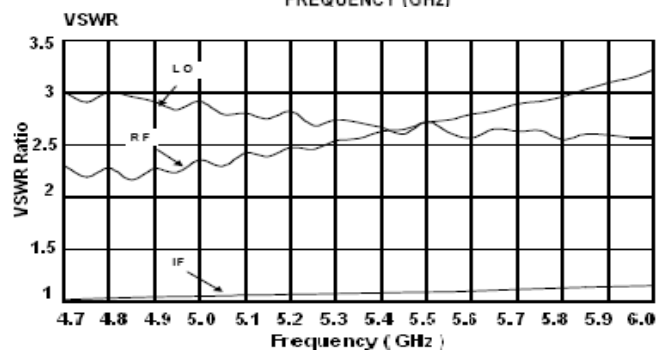
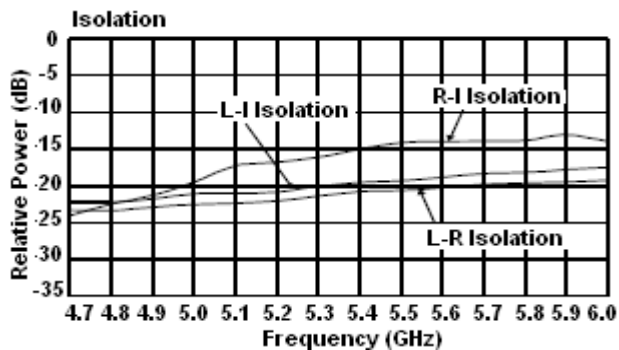
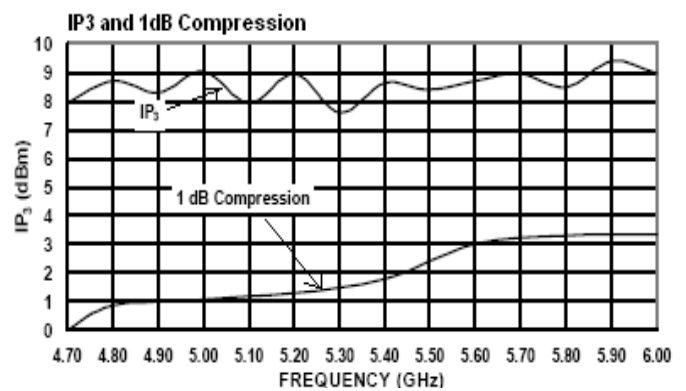
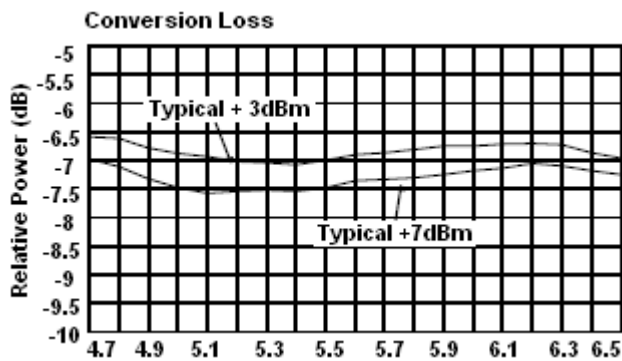
Silicon Double Balanced HMIC Mixer 4.7 - 6.0 GHz

Rev. V2

Electrical Specifications @ +25 °C

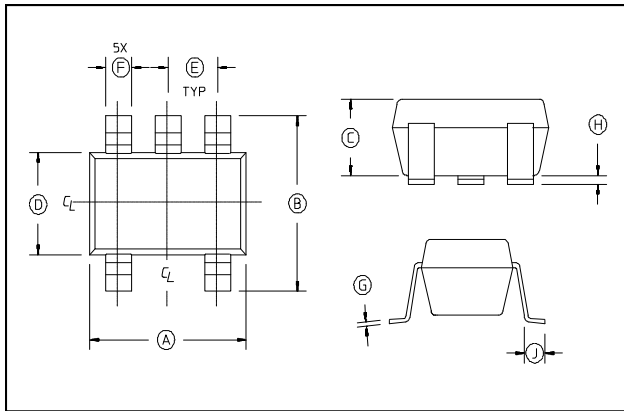
Parameter	Frequency Range	Test Conditions	Units	Typ.	Max.
Conversion Loss	4700 MHz 4.7—6.0 GHz	LO Drive = +3 -> +7 dBm RF = -10 dBm, IF = 60 MHz	dB	7.6	8.0
				8.5	9.5
L - R Isolation	4700 MHz 4.7—6.0 GHz	LO Drive = +5 dBm RF Level = -10 dBm	dB	23.0	
L - I Isolation	4700 MHz 4.7—6.0 GHz	LO Drive = +5 dBm RF Level = -10 dBm	dB	22.0	
R - I Isolation	4700 MHz 4.7—6.0 GHz	LO Drive = +5 dBm RF Level = -10 dBm	dB	9.4	
LO VSWR	4700 MHz 4.7—6.0 GHz	LO Drive = +5 dBm RF Level = -10 dBm		2.7	-
				2.8	-
RF VSWR	4700 MHz 4.7—6.0 GHz	LO Drive = +5 dBm RF Level = -10 dBm		2.3	-
				3.1	-
IF VSWR	DC - 1050 MHz	LO Drive = +5 dBm RF Level = -10 dBm		1.1	-
Input IP3	4700 MHz 4.7—6.0 GHz	LO Drive = +3 -> +7 dBm RF = -10 dBm, IF = 60 MHz	dBm	7.5	
Input 1 dB Compression	4700 MHz 4.7—6.0 GHz	LO Drive = +3 -> +7 dBm RF = -10 dBm, IF = 60 MHz	dBm	+1.6	-
				+1.5	-
IF 1 dB Bandwidth	DC - 1050 MHz	LO = 4650 MHz @+5dBm	MHz	1050	-

Typical Performance Curves



* Specifications subject to change without notice.

Case Style - SOT-25



SOT-25 Dimensions

Dim	Inches		Millimeters	
	Min.	Max.	Min.	Max.
A	.106	.122	2.70	3.10
B	.100	.118	2.54	3.00
C	—	.051	—	1.30
D	.063 REF.		1.60 REF.	
E	.032	.043	.80	1.10
F	.014	.020	.35	.50
G	.003	—	.08	—
H	.000	.006	.00	.15
J	.018 REF.		.45 REF.	

2. Leads Coplanarity should be 0.003 (0.08) max.

M/A-COM Technology Solutions Inc. All rights reserved.

Information in this document is provided in connection with M/A-COM Technology Solutions Inc ("MACOM") products. These materials are provided by MACOM as a service to its customers and may be used for informational purposes only. Except as provided in MACOM's Terms and Conditions of Sale for such products or in any separate agreement related to this document, MACOM assumes no liability whatsoever. MACOM assumes no responsibility for errors or omissions in these materials. MACOM may make changes to specifications and product descriptions at any time, without notice. MACOM makes no commitment to update the information and shall have no responsibility whatsoever for conflicts or incompatibilities arising from future changes to its specifications and product descriptions. No license, express or implied, by estoppel or otherwise, to any intellectual property rights is granted by this document.

THESE MATERIALS ARE PROVIDED "AS IS" WITHOUT WARRANTY OF ANY KIND, EITHER EXPRESS OR IMPLIED, RELATING TO SALE AND/OR USE OF MACOM PRODUCTS INCLUDING LIABILITY OR WARRANTIES RELATING TO FITNESS FOR A PARTICULAR PURPOSE, CONSEQUENTIAL OR INCIDENTAL DAMAGES, MERCHANTABILITY, OR INFRINGEMENT OF ANY PATENT, COPYRIGHT OR OTHER INTELLECTUAL PROPERTY RIGHT. MACOM FURTHER DOES NOT WARRANT THE ACCURACY OR COMPLETENESS OF THE INFORMATION, TEXT, GRAPHICS OR OTHER ITEMS CONTAINED WITHIN THESE MATERIALS. MACOM SHALL NOT BE LIABLE FOR ANY SPECIAL, INDIRECT, INCIDENTAL, OR CONSEQUENTIAL DAMAGES, INCLUDING WITHOUT LIMITATION, LOST REVENUES OR LOST PROFITS, WHICH MAY RESULT FROM THE USE OF THESE MATERIALS.

MACOM products are not intended for use in medical, lifesaving or life sustaining applications. MACOM customers using or selling MACOM products for use in such applications do so at their own risk and agree to fully indemnify MACOM for any damages resulting from such improper use or sale.