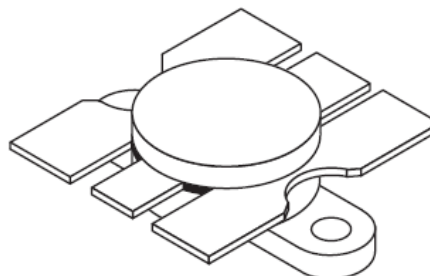


## The RF Line NPN Silicon Power Transistor 60 W, 225 - 400 MHz, 28 V

Rev. V1

- Guaranteed performance in 225 to 400 MHz broadband amplifier @ 28 Vdc  
Output power = 60 W over 225 to 400 MHz band  
Minimum gain = 7.8 dB @ 400 MHz
- Built-in matching network for broadband operation using double match technique
- 100% tested for load mismatch at all phase angles with 30:1 VSWR
- Gold metallization system for high reliability applications

### Product Image



CASE 316-01, STYLE 1

Designed primarily for wideband large-signal output amplifier stages in the 225 to 400 MHz frequency range.

### MAXIMUM RATINGS\*

Rating	Symbol	Value	Unit
Collector-Emitter Voltage	$V_{CEO}$	33	Vdc
Collector-Base Voltage	$V_{CBO}$	60	Vdc
Emitter-Base Voltage	$V_{EBO}$	4.0	Vdc
Total Device Dissipation @ $T_C = 25^\circ\text{C}$ (1) Derate above $25^\circ\text{C}$	$P_D$	146 0.83	Watts $\text{W}/^\circ\text{C}$
Storage Temperature Range	$T_{stg}$	-65 to +200	$^\circ\text{C}$

### THERMAL CHARACTERISTICS

Characteristic	Symbol	Max	Unit
Thermal Resistance, Junction to Case	$R_{\theta JC}$	1.2	$^\circ\text{C}/\text{W}$

### ELECTRICAL CHARACTERISTICS\* ( $T_C = 25^\circ\text{C}$ unless otherwise noted.)

Characteristic	Symbol	Min	Typ	Max	Unit
----------------	--------	-----	-----	-----	------

### OFF CHARACTERISTICS

Collector-Emitter Breakdown Voltage ( $I_C = 50 \text{ mAdc}$ , $I_B = 0$ )	$V_{(BR)CEO}$	33	—	—	Vdc
Collector-Emitter Breakdown Voltage ( $I_C = 50 \text{ mAdc}$ , $V_{BE} = 0$ )	$V_{(BR)CES}$	60	—	—	Vdc
Emitter-Base Breakdown Voltage ( $I_E = 5.0 \text{ mAdc}$ , $I_C = 0$ )	$V_{(BR)EBO}$	4.0	—	—	Vdc
Collector Cutoff Current ( $V_{CB} = 30 \text{ Vdc}$ , $I_E = 0$ )	$I_{CBO}$	—	—	2.0	mAdc

NOTE:

(continued)

1. These devices are designed for RF operation. The total device dissipation rating applies only when the devices are operated as RF amplifiers.

\* Indicates JEDEC Registered Data.

## The RF Line NPN Silicon Power Transistor 60 W, 225 - 400 MHz, 28 V

Rev. V1

### ELECTRICAL CHARACTERISTICS\* — continued ( $T_C = 25^\circ\text{C}$ unless otherwise noted.)

Characteristic	Symbol	Min	Typ	Max	Unit
----------------	--------	-----	-----	-----	------

#### ON CHARACTERISTICS

DC Current Gain ( $I_C = 1.0 \text{ Adc}$ , $V_{CE} = 5.0 \text{ Vdc}$ )	$h_{FE}$	10	—	100	—
---	----------	----	---	-----	---

#### DYNAMIC CHARACTERISTICS

Output Capacitance ( $V_{CB} = 28 \text{ Vdc}$ , $I_E = 0$ , $f = 1.0 \text{ MHz}$ )	$C_{ob}$	—	67	75	pF
---	----------	---	----	----	----

#### BROADBAND FUNCTIONAL TESTS (Figure 6)

Common-Emitter Amplifier Power Gain ( $V_{CC} = 28 \text{ Vdc}$ , $P_{out} = 60 \text{ W}$ , $f = 225\text{--}400 \text{ MHz}$ )	$G_{PE}$	7.8	8.5	—	dB
Electrical Ruggedness ( $P_{out} = 60 \text{ W}$ , $V_{CC} = 28 \text{ Vdc}$ , $f = 400 \text{ MHz}$ , VSWR 30:1 all phase angles)	$\psi$	No Degradation in Output Power			—

#### NARROW BAND FUNCTIONAL TESTS (Figure 1)

Common-Emitter Amplifier Power Gain ( $V_{CC} = 28 \text{ Vdc}$ , $P_{out} = 60 \text{ W}$ , $f = 400 \text{ MHz}$ )	$G_{PE}$	7.8	10	—	dB
Collector Efficiency ( $V_{CC} = 28 \text{ Vdc}$ , $P_{out} = 60 \text{ W}$ , $f = 400 \text{ MHz}$ )	$\eta$	55	—	—	%

\* Indicates JEDEC Registered Data.

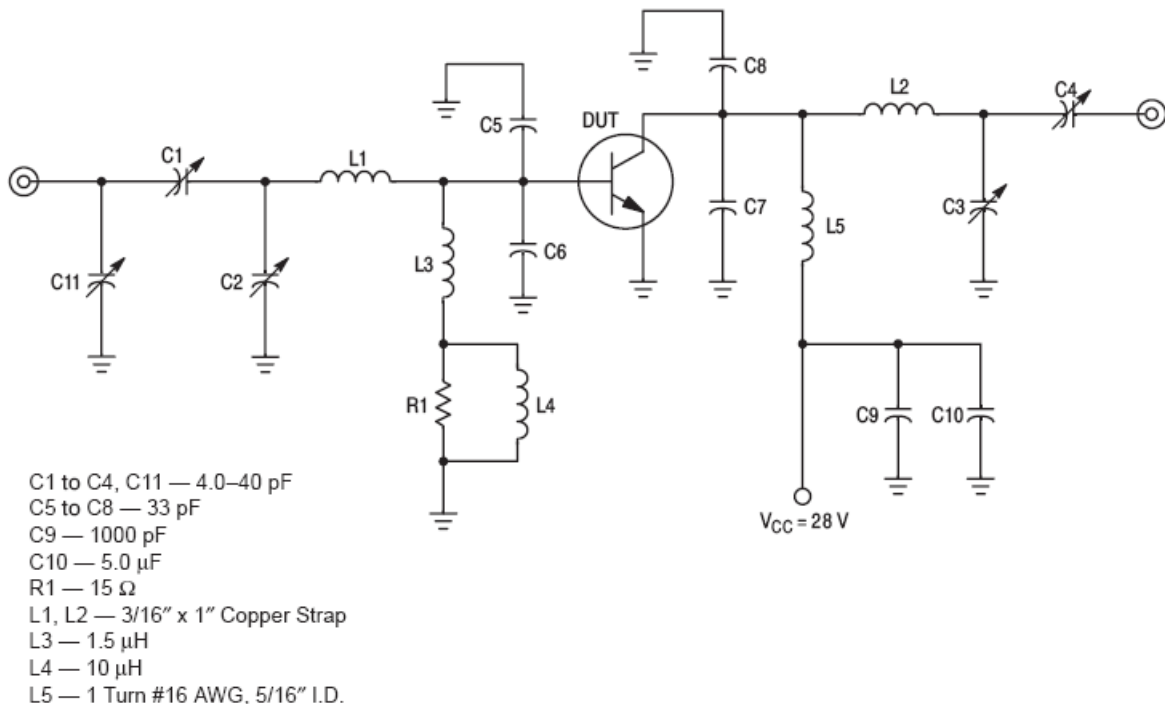


Figure 1. 400 MHz Test Amplifier (Narrow Band)

## NARROW BAND DATA

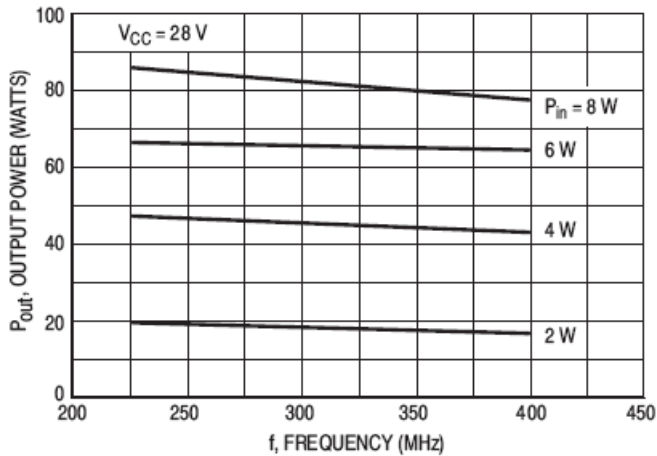


Figure 2.  $P_{out}$  versus Frequency

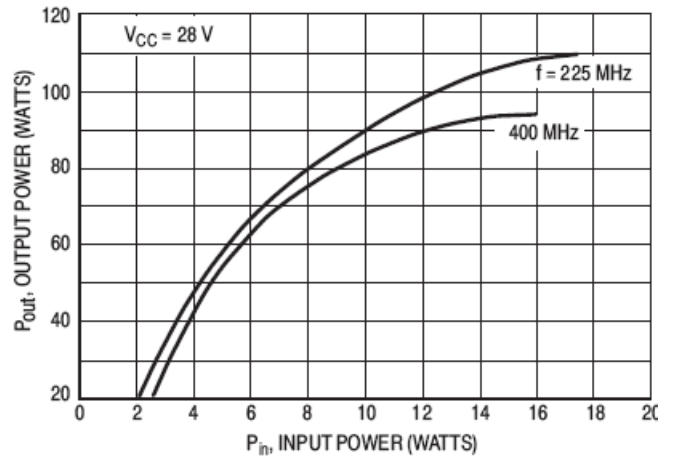


Figure 3. Output Power versus Input Power

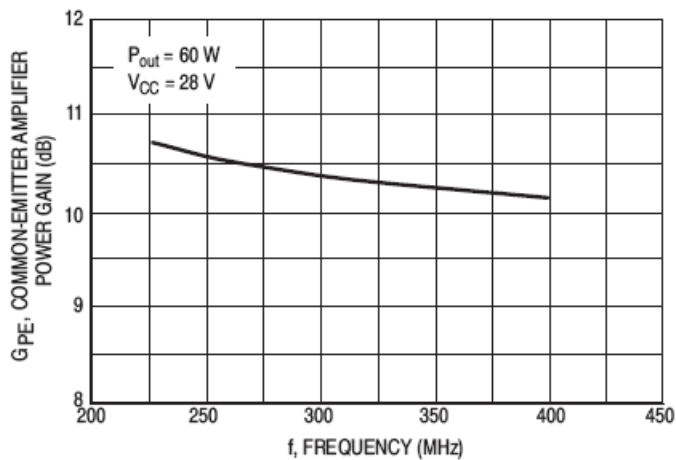


Figure 4. Power Gain versus Frequency

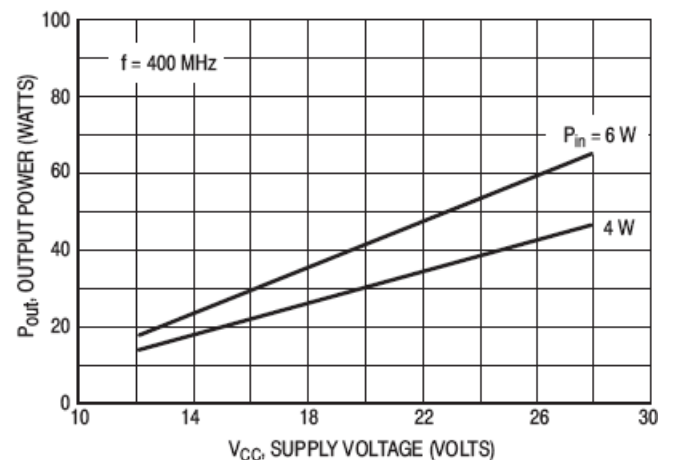


Figure 5. Output Power versus Supply Voltage

## The RF Line NPN Silicon Power Transistor 60 W, 225 - 400 MHz, 28 V

Rev. V1

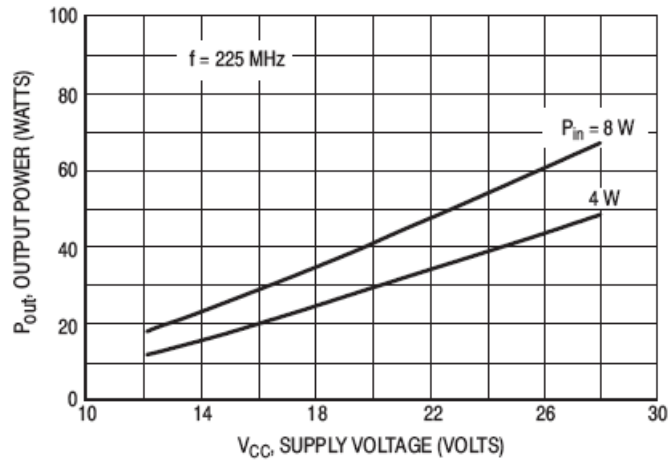
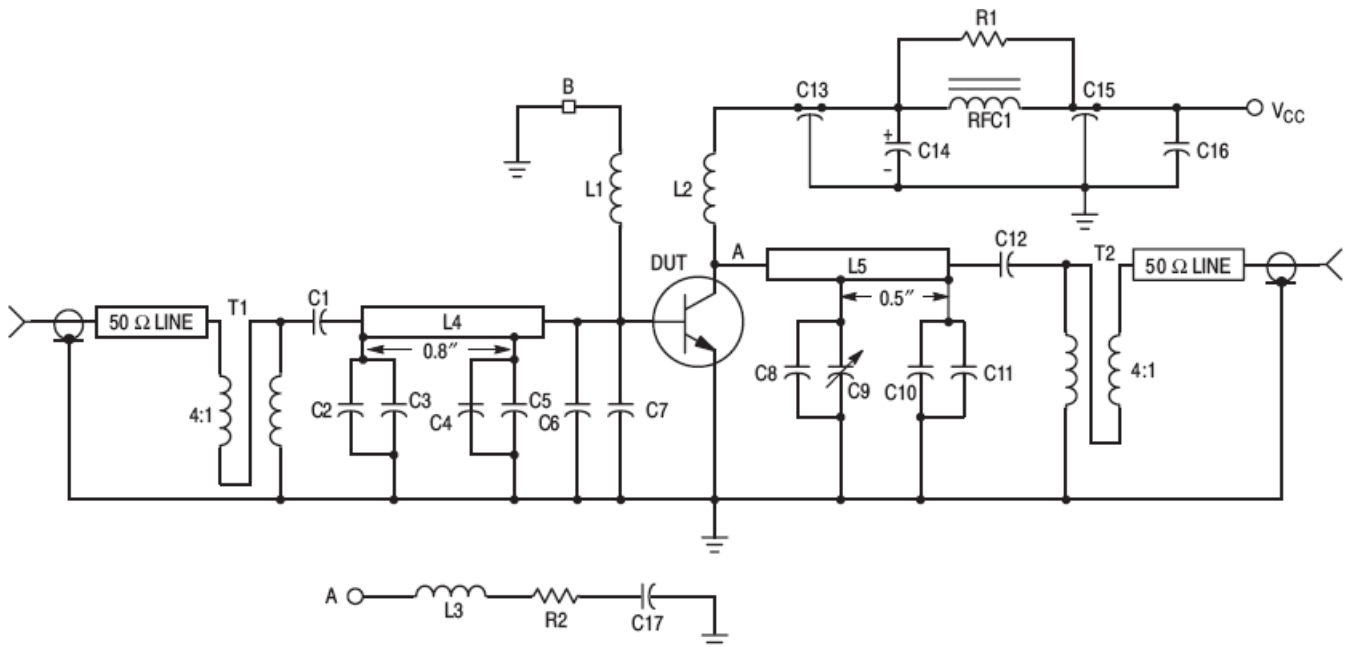


Figure 6. Output Power versus Supply Voltage



C1 — 68 pF  
 C2, C4, C8, C10 — 27 pF  
 C3, C5, C11 — 10 pF  
 C6, C7 — 51 pF  
 C9 — 1.0–10 pF JOHANSON  
 C12 — 100 pF  
 C13, C15 — 680 pF  
 C14, C16 — 1.0 μF, 35 V Tantalum  
 C17 — 0.1 μF, ERIE Red Cap

RFC1 — Ferrite Bead Choke, Ferroxcube VK200 19/4B  
 B — Ferroxcube 56-590-65/4B Ferrite Bead  
 T1, T2 — 25 Ohms (UT25) Miniature Coaxial Cable, 1 turn  
 R1 — 11 Ω, 1.0 W  
 R2 — 20 Ω, 1/4 W  
 L1 — 10 Turns, #22 AWG, 1/8" I.D.  
 L2 — 4 Turns, #16 AWG, 1/4" I.D.  
 L3 — 6 Turns, #24 AWG, 1/8" I.D.  
 L4, L5 — 1" x 0.25" Microstrip Line  
 Board Material 0.031" Thick Teflon-Fiberglass

Figure 7. 225 to 400 MHz Broadband Test Circuit Schematic

BROADBAND DATA (Circuit, Figure 7)

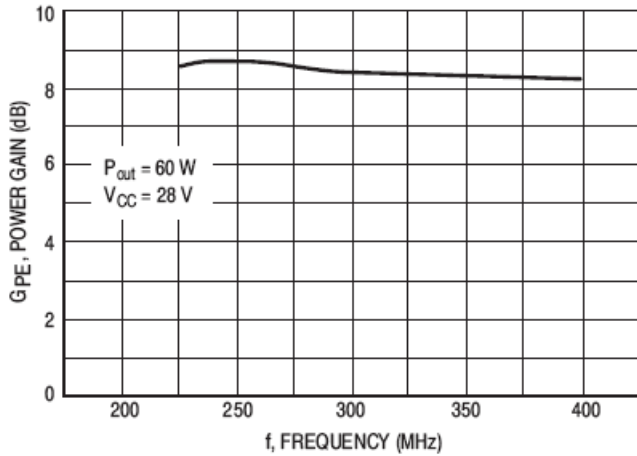


Figure 8. Power Gain versus Frequency

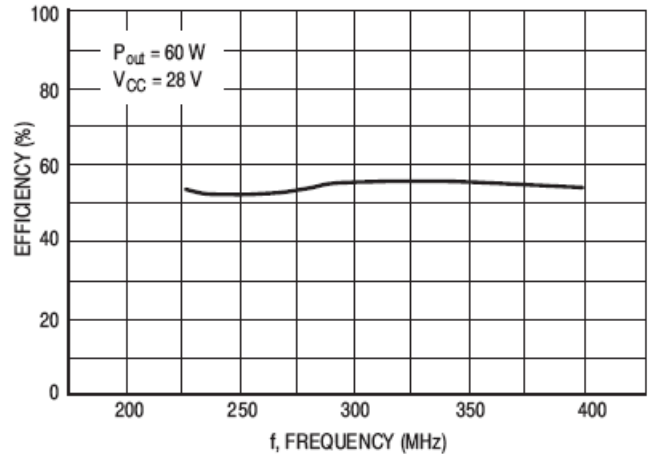


Figure 9. Efficiency versus Frequency

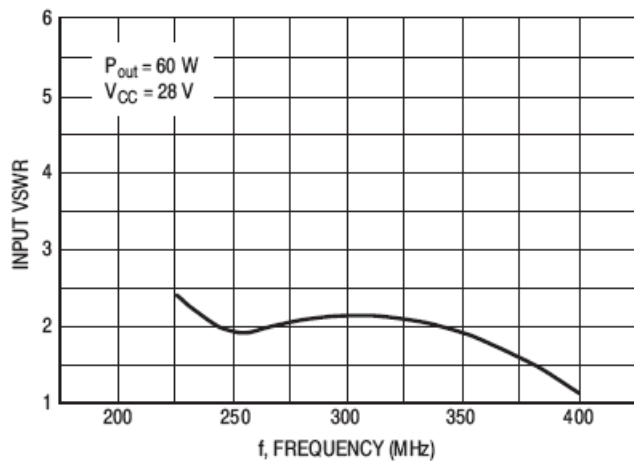


Figure 10. Input VSWR versus Frequency

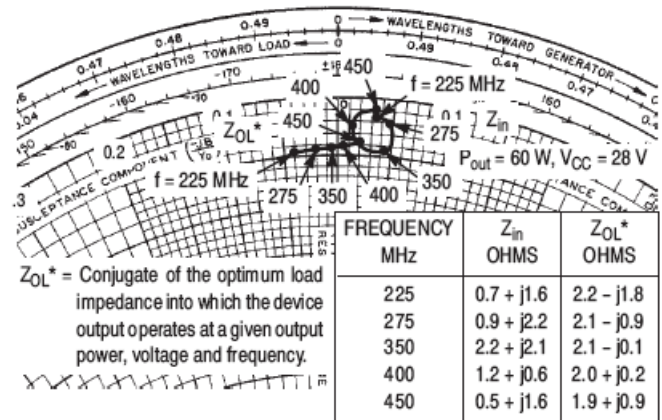
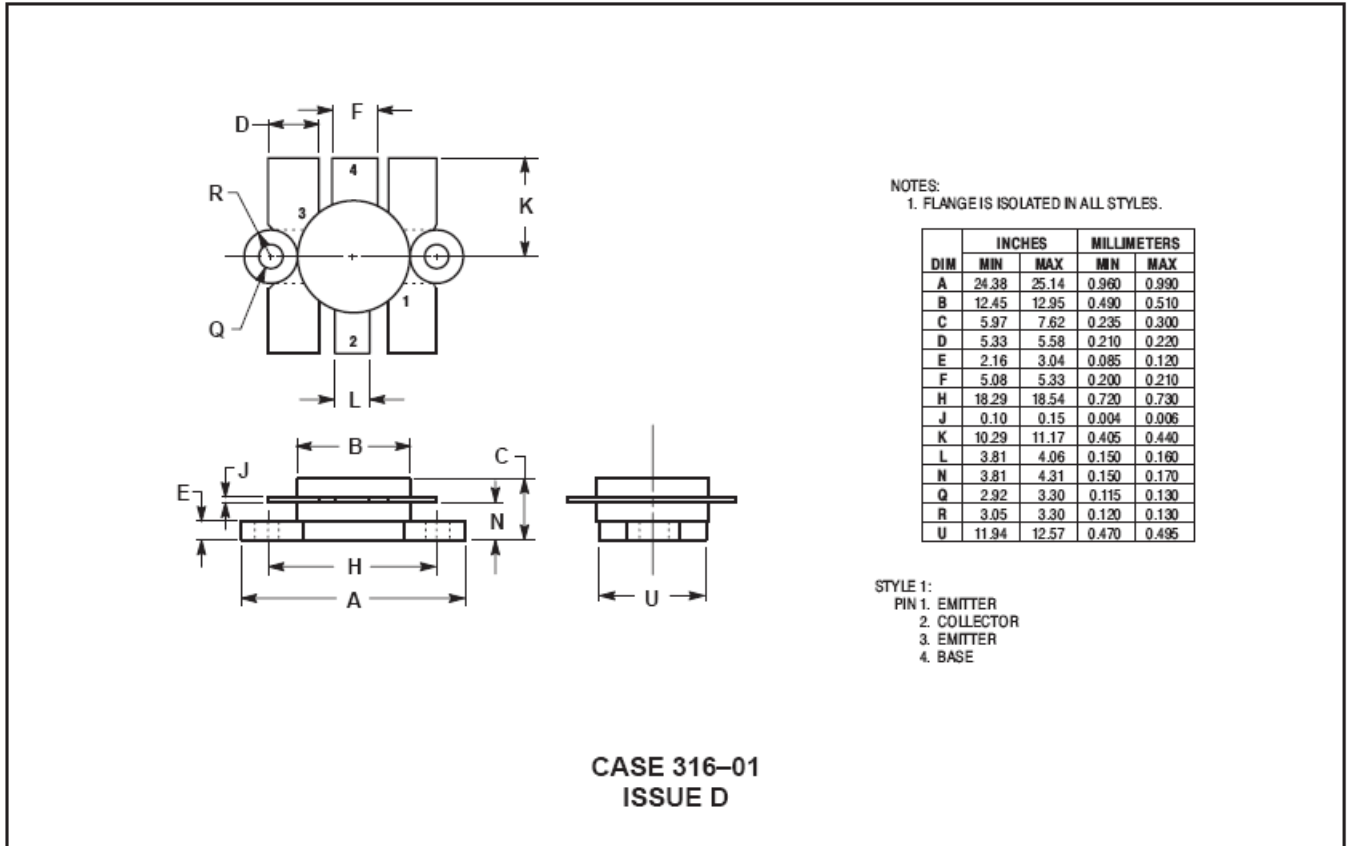


Figure 11. Series Equivalent Input-Output Impedance

**The RF Line NPN Silicon Power Transistor**  
**60 W, 225 - 400 MHz, 28 V**

Rev. V1

**PACKAGE DIMENSIONS**



M/A-COM Technology Solutions Inc. All rights reserved.

Information in this document is provided in connection with M/A-COM Technology Solutions Inc ("MACOM") products. These materials are provided by MACOM as a service to its customers and may be used for informational purposes only. Except as provided in MACOM's Terms and Conditions of Sale for such products or in any separate agreement related to this document, MACOM assumes no liability whatsoever. MACOM assumes no responsibility for errors or omissions in these materials. MACOM may make changes to specifications and product descriptions at any time, without notice. MACOM makes no commitment to update the information and shall have no responsibility whatsoever for conflicts or incompatibilities arising from future changes to its specifications and product descriptions. No license, express or implied, by estoppel or otherwise, to any intellectual property rights is granted by this document.

THESE MATERIALS ARE PROVIDED "AS IS" WITHOUT WARRANTY OF ANY KIND, EITHER EXPRESS OR IMPLIED, RELATING TO SALE AND/OR USE OF MACOM PRODUCTS INCLUDING LIABILITY OR WARRANTIES RELATING TO FITNESS FOR A PARTICULAR PURPOSE, CONSEQUENTIAL OR INCIDENTAL DAMAGES, MERCHANTABILITY, OR INFRINGEMENT OF ANY PATENT, COPYRIGHT OR OTHER INTELLECTUAL PROPERTY RIGHT. MACOM FURTHER DOES NOT WARRANT THE ACCURACY OR COMPLETENESS OF THE INFORMATION, TEXT, GRAPHICS OR OTHER ITEMS CONTAINED WITHIN THESE MATERIALS. MACOM SHALL NOT BE LIABLE FOR ANY SPECIAL, INDIRECT, INCIDENTAL, OR CONSEQUENTIAL DAMAGES, INCLUDING WITHOUT LIMITATION, LOST REVENUES OR LOST PROFITS, WHICH MAY RESULT FROM THE USE OF THESE MATERIALS.

MACOM products are not intended for use in medical, lifesaving or life sustaining applications. MACOM customers using or selling MACOM products for use in such applications do so at their own risk and agree to fully indemnify MACOM for any damages resulting from such improper use or sale.